

# WL01.3001.32.B

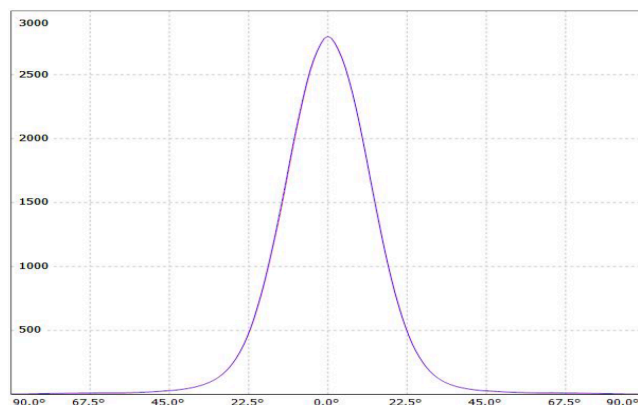
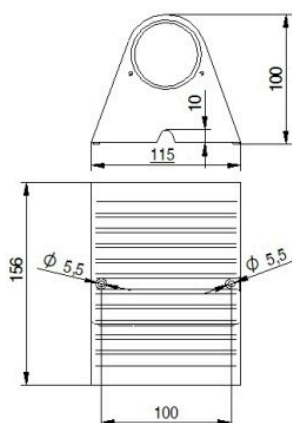
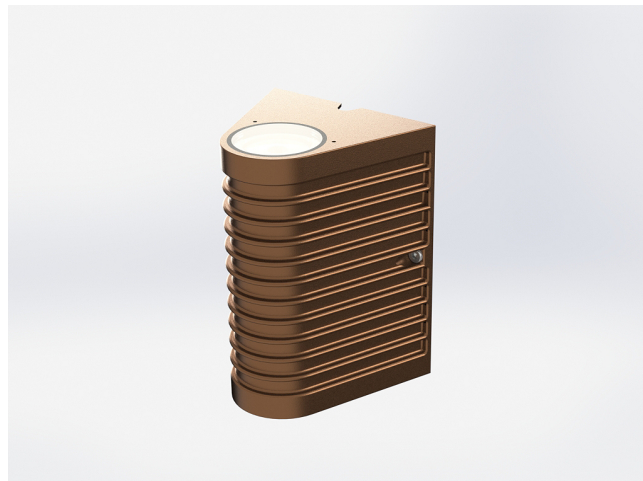
Grünzell®

## Description

Single body wall luminaire for indoors and outdoors, also harsh environments. No visible hardware. Made of solid bronze (more than 90% copper). Narrow beam(NB)TIR-lens made of PMMA. High power LED. Different light distributions and colour temperatures can be achieved with accessory filters.

Clear covers made of 10mm thick PMMA sealed with Silicone gaskets.

Mounted to any flat surface with ST4.8 wood screws



<b>LED Lamp</b>	1
<b>Luminous Flux</b>	1456 lm
<b>Colour temperature</b>	3000 K
<b>CRI</b>	80
<b>MacAdam Ellipse</b>	3 Step
<b>Nominal Power</b>	10W
<b>Beam Angle</b>	32°

<b>Ingress Protection</b>	IP66
<b>Impact Protection</b>	IK10
<b>Body</b>	Solid bronze (> 90% copper)
<b>Weight</b>	1.6 kg
<b>Finish</b>	Power coat finish in white RAL9016, grey RAL9006 or black 9005
<b>Line Voltage</b>	100 ~ 270V / 50-60Hz
<b>Electrical Gear</b>	IP67 LED Driver in a thermally separated compartment

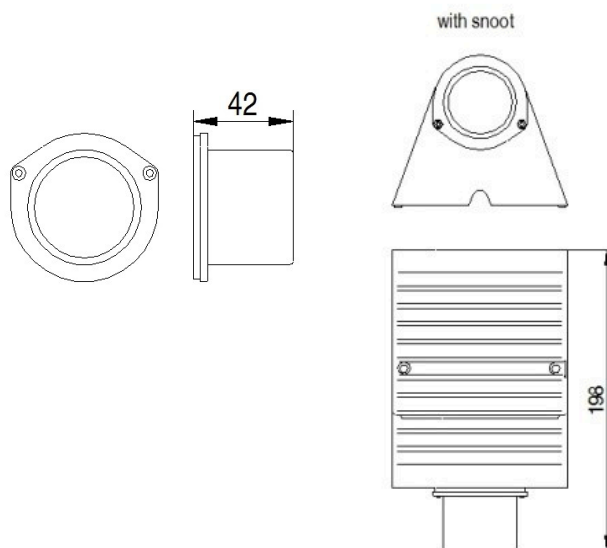
**WL01.3001.32.B**

Grünzell®

**Optical Accessories**

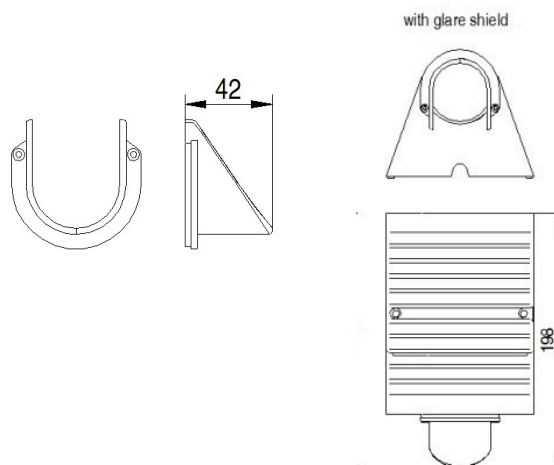
Snoot  
Bronze

Spektor\_49 Snoot



Glare Shield  
Bronze

Spektor\_49 Glare Shield



**WL01.3001.32.B**

Grünzell®

**Optical Accessories**

Lenses and Filters

Spektor\_49 Lenses and Filters and Honeycomb Louvre

