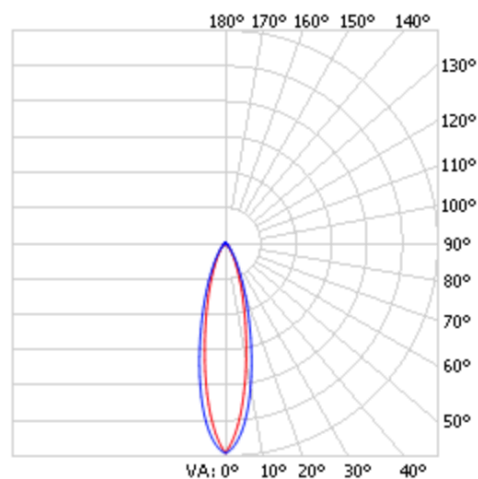
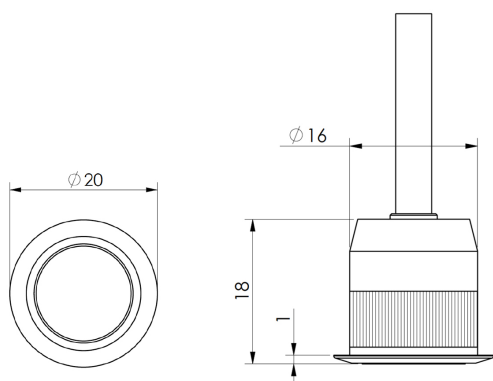


# SPL04.4001.30

Grünzell®

## Description

At only 1W and  $\varnothing 20\text{mm}$  the Mini-LIGHTZ are tiny but mighty. For Indoor or Outdoor use. Ideal for pathway lighting, garden lighting, recess into soffits, mount into handrails, garden beds, recessed into decking, balustrades or place it inside the house to illuminate hallways, stairways and cabinets.



<b>LED Lamp</b>	1
<b>Luminous Flux</b>	100 lm
<b>Colour temperature</b>	4000 K
<b>CRI</b>	80
<b>MacAdam Ellipse</b>	3 Step
<b>Nominal Power</b>	1W
<b>Beam Angle</b>	30°

<b>Ingress Protection</b>	IP67
<b>Impact Protection</b>	IK08
<b>Body</b>	Black Anodized Aluminium, Natural Anodised Aluminium, Stainless Steel or Copper

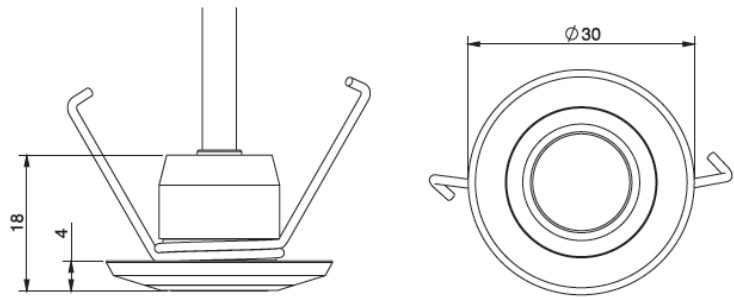
<b>Weight</b>	-
<b>Line Voltage</b>	100 ~ 270V / 50-60Hz
<b>Electrical Gear</b>	IP67 LED Driver (supplied separately)

**SPL04.4001.30**

Grünzell®

**Mounting Accessories**

Spring Mount



---

Spike Mount

200mm x 20mm

