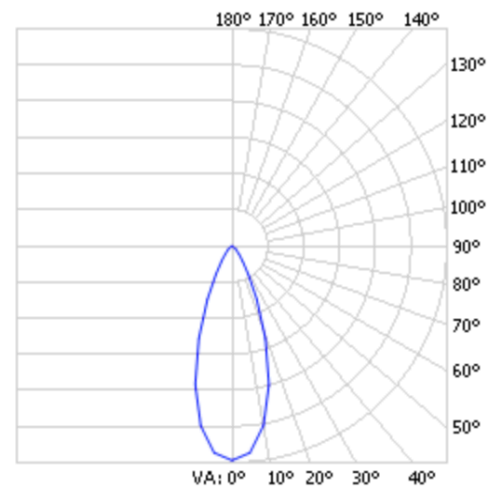
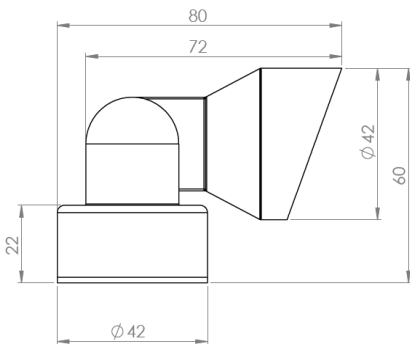


# SPL03.2701.40

Grünzell®

## Description

The 5W Mitsu Spot is excellent for both indoor and exterior use. Its durable construction makes it ideal for illuminating architectural elements, garden features and outdoor living spaces. Its attractive design also makes it ideal for indoor feature lighting or as a reading light



<b>LED Lamp</b>	1
<b>Luminous Flux</b>	415 lm
<b>Colour temperature</b>	2700 K
<b>CRI</b>	80
<b>MacAdam Ellipse</b>	3 Step
<b>Nominal Power</b>	5W
<b>Beam Angle</b>	40°

<b>Ingress Protection</b>	IP67
<b>Impact Protection</b>	IK08
<b>Body</b>	Natural Anodised Aluminium, Black Anodized Aluminium or Stainless Steel (316)

<b>Weight</b>	-
<b>Line Voltage</b>	100 ~ 270V / 50-60Hz
<b>Electrical Gear</b>	IP67 LED Driver (supplied separately)

**SPL03.2701.40**

Grünzell®

**Mounting Accessories**

Spike Mount  
Black Anodized or Natural Anodized Aluminium

