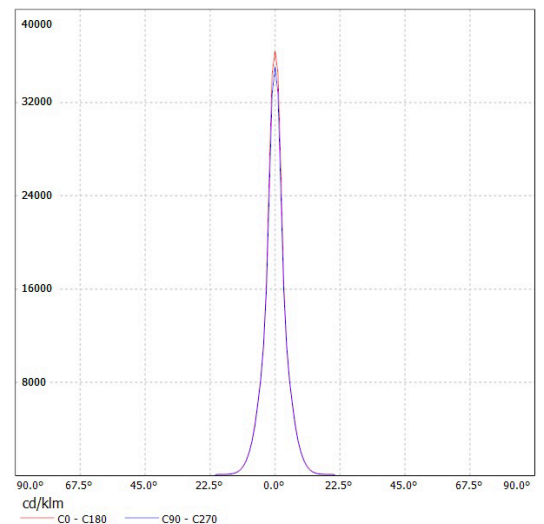
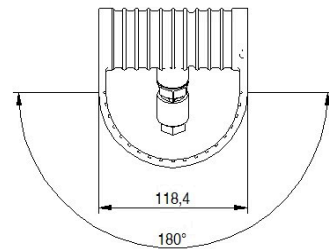
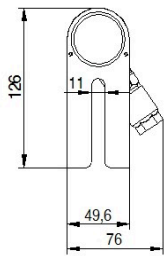


# SPL02.3001.06.B

Grünzell®

## Description

IP67 Class I LED Spotlight with built in LED driver. Single body made of solid bronze with more than 90% copper for versatile mounting and harsh environments. Narrow TIR-lens made of PMMA. Highly efficient high power LED. Different light distributions and colour temperatures can be achieved with accessory filters. Mounting slot, 11mm wide, allowing fixation and aiming with single bolt/screw.



|                           |        |
|---------------------------|--------|
| <b>LED Lamp</b>           | 1      |
| <b>Luminous Flux</b>      | 624 lm |
| <b>Colour temperature</b> | 3000 K |
| <b>CRI</b>                | 80     |
| <b>MacAdam Ellipse</b>    | 3 Step |
| <b>Nominal Power</b>      | 7W     |
| <b>Beam Angle</b>         | 6°     |

|                           |  |
|---------------------------|--|
| <b>Ingress Protection</b> | IP67   |
| <b>Impact Protection</b>  | IK10   |
| <b>Body</b>               | Die cast Bronze (> 90% copper)                       |
| <b>Weight</b>             | 0.93kg   |
| <b>Line Voltage</b>       | 100 ~ 270V / 50-60Hz                                 |
| <b>Electrical Gear</b>    | IP67 LED Driver in a thermally separated compartment |

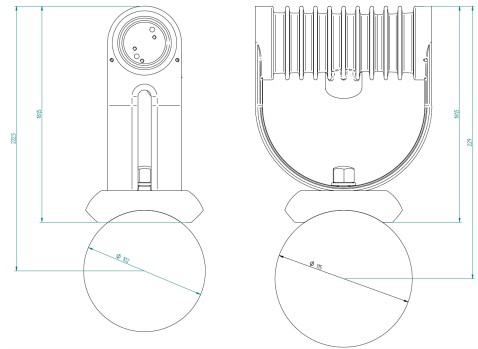
**SPL02.3001.06.B**

Grünzell®

## Mounting Accessories

Pedestal  
Bronze

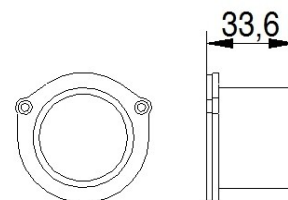
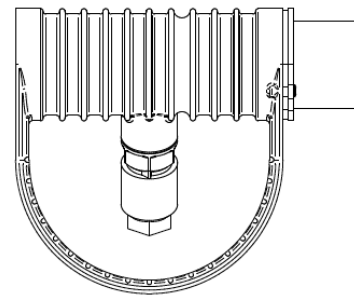
EQUUS Pedestal



## Optical Accessories

Snoot  
Bronze

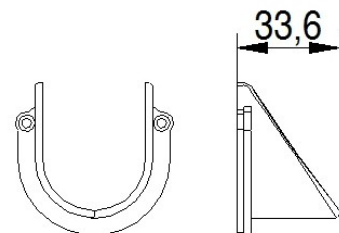
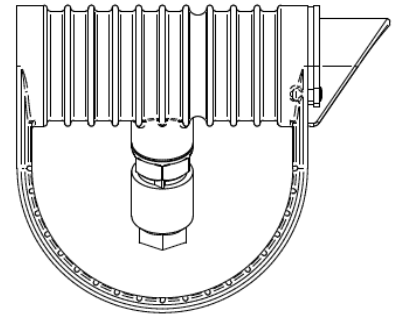
Spektor\_39 Snoot



## Optical Accessories

Glare Shield  
Bronze

Spektor\_39 Glare Shield



Lenses and Filters

Spektor\_39 Lenses and Flim Filters and  
Honeycomb louvre

