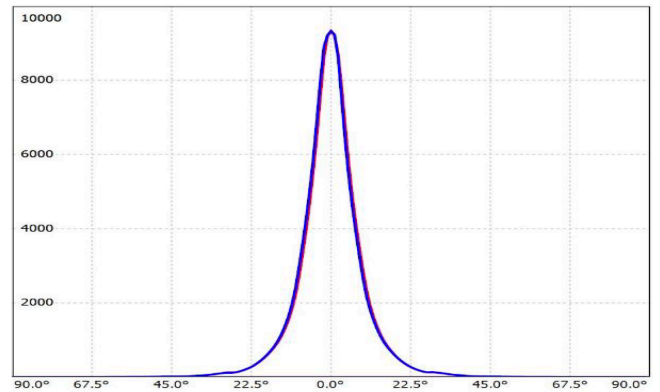
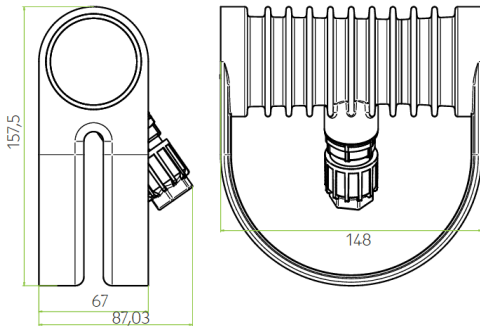
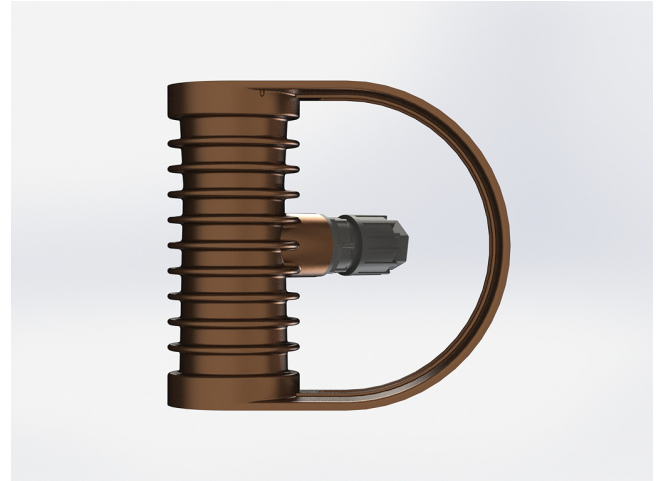


SPL01.2701.12.B

Grünzell®

Description

IP67 Class I LED Spotlight with built in LED driver. Single body made of solid bronze with more than 90% copper for versatile mounting. Narrow TIR-lens made of PMMA. Highly efficient high power LED. Different light distributions and colour temperatures can be achieved with accessory filters. Mounting slot, 11mm wide, allowing fixation and aiming with single bolt/screw.



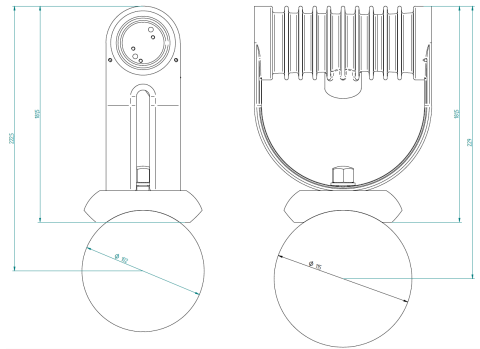
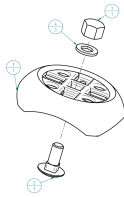
| | |
|---------------------------|---------|
| LED Lamp | 1 |
| Luminous Flux | 1260 lm |
| Colour temperature | 2700 K |
| CRI | 80 |
| MacAdam Ellipse | 3 Step |
| Nominal Power | 10W |
| Beam Angle | 12° |

| | |
|---------------------------|--|
| Ingress Protection | IP67 |
| Impact Protection | IK10 |
| Body | Die cast Bronze (>90% copper) |
| Weight | 1.8 kg |
| Finish | Power coat finish in white RAL9016, grey RAL9006 or black 9005 |
| Line Voltage | 100 ~ 270V / 50-60Hz |
| Electrical Gear | IP67 LED Driver in a thermally separated compartment |

Mounting Accessories

Pedestal
Bronze

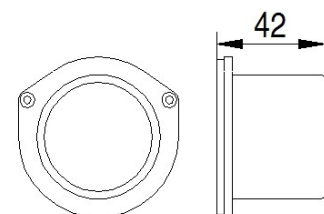
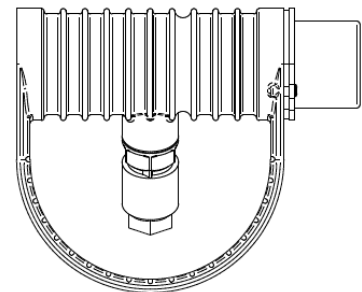
EQUUS Pedestal



Optical Accessories

Snoot
Bronze

Spektor_49 Snoot



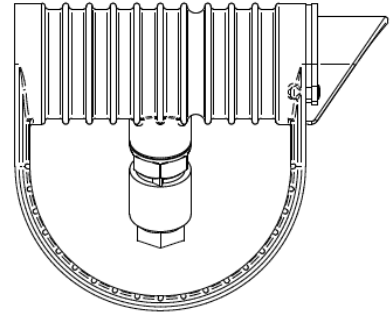
SPL01.2701.12.B

Grünzell®

Optical Accessories

Glare Shield
Bronze

Spektor_49 Glare Shield



Lenses and Filters

Spektor_49 Lenses and Filters and Honeycomb
Louvre

