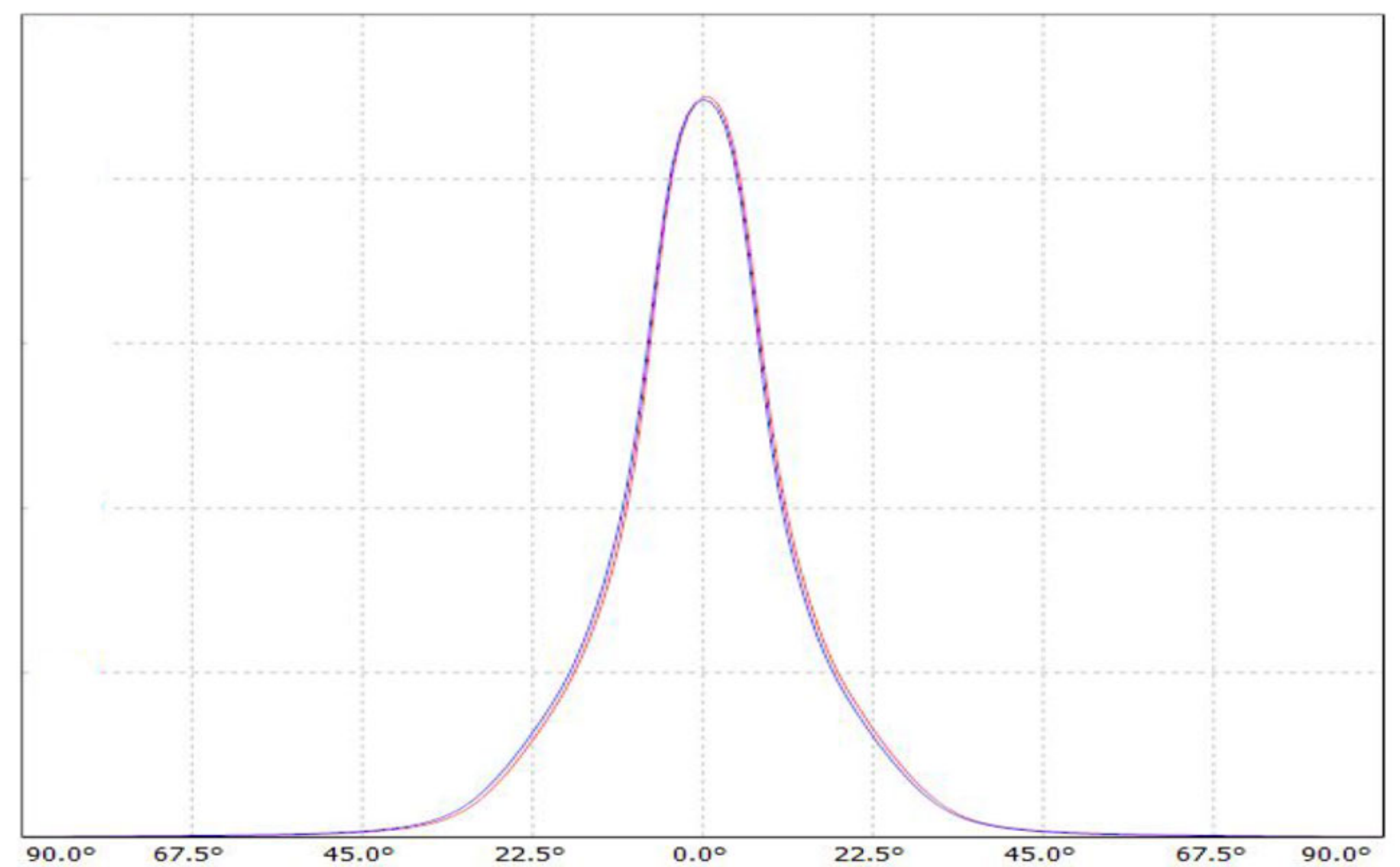
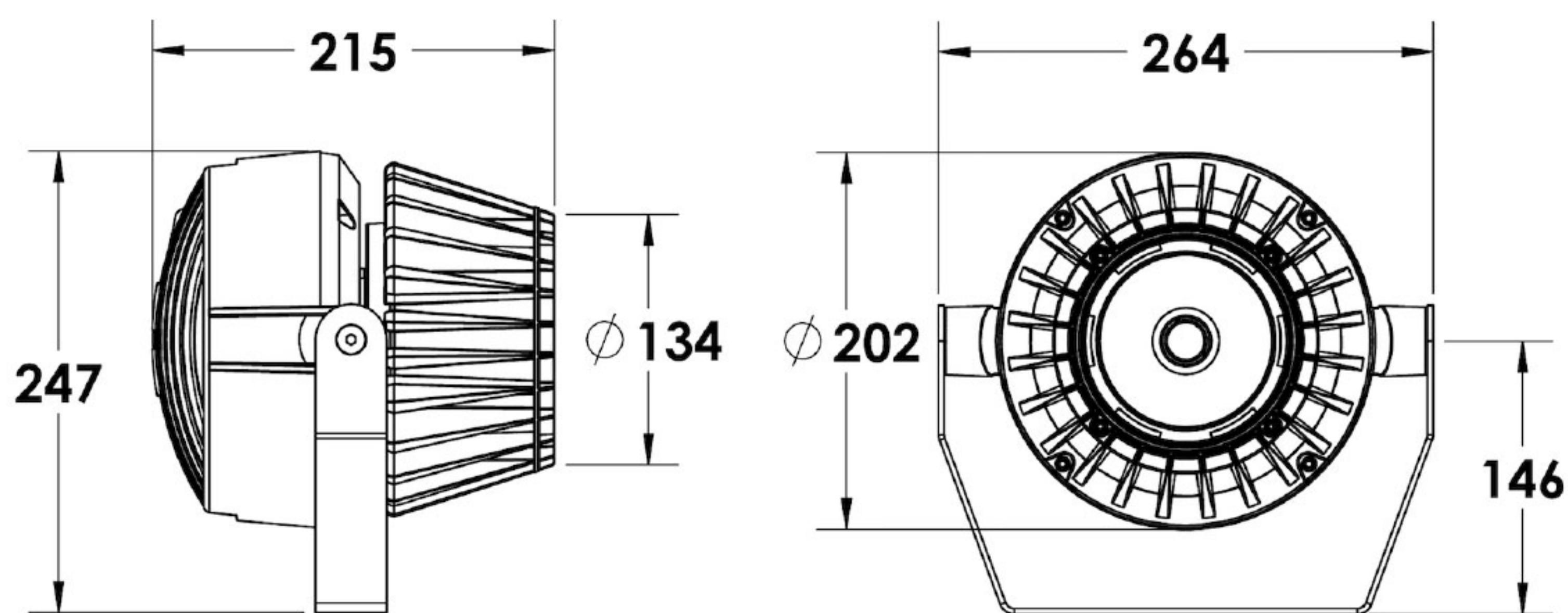


# PJL03.3004.15.x.xx

Grünzell®

## Description

IP65 Class I LED Projector with built in LED driver compartment thermally separated in a surface powder coated corrosion resistant die cast aluminium alloy housing. Featured GORE®Vent to protect the internal system from moisture. Silicon rubber gasket and stainless steel 316 screws. Highly specular reflector. Tempered glass cover. COB LED with socket.



**LED Lamp**  
**Luminous Flux**  
**Colour temperature**  
**CRI**  
**Nominal Power**  
**Beam Angle**

1  
5326 lm  
3000K  
80  
35W  
15°

**Ingress Protection**  
**Impact Protection**  
**Body**  
**Weight**  
**Finish**  
**Line Voltage**  
**Electrical Gear**

IP65  
IK08  
Die cast aluminium alloy  
4.2kg  
Power coat finish in white RAL9016, grey RAL9006 or black 9005  
100 ~ 270V / 50-60Hz  
IP67 LED Driver in a thermally separated compartment

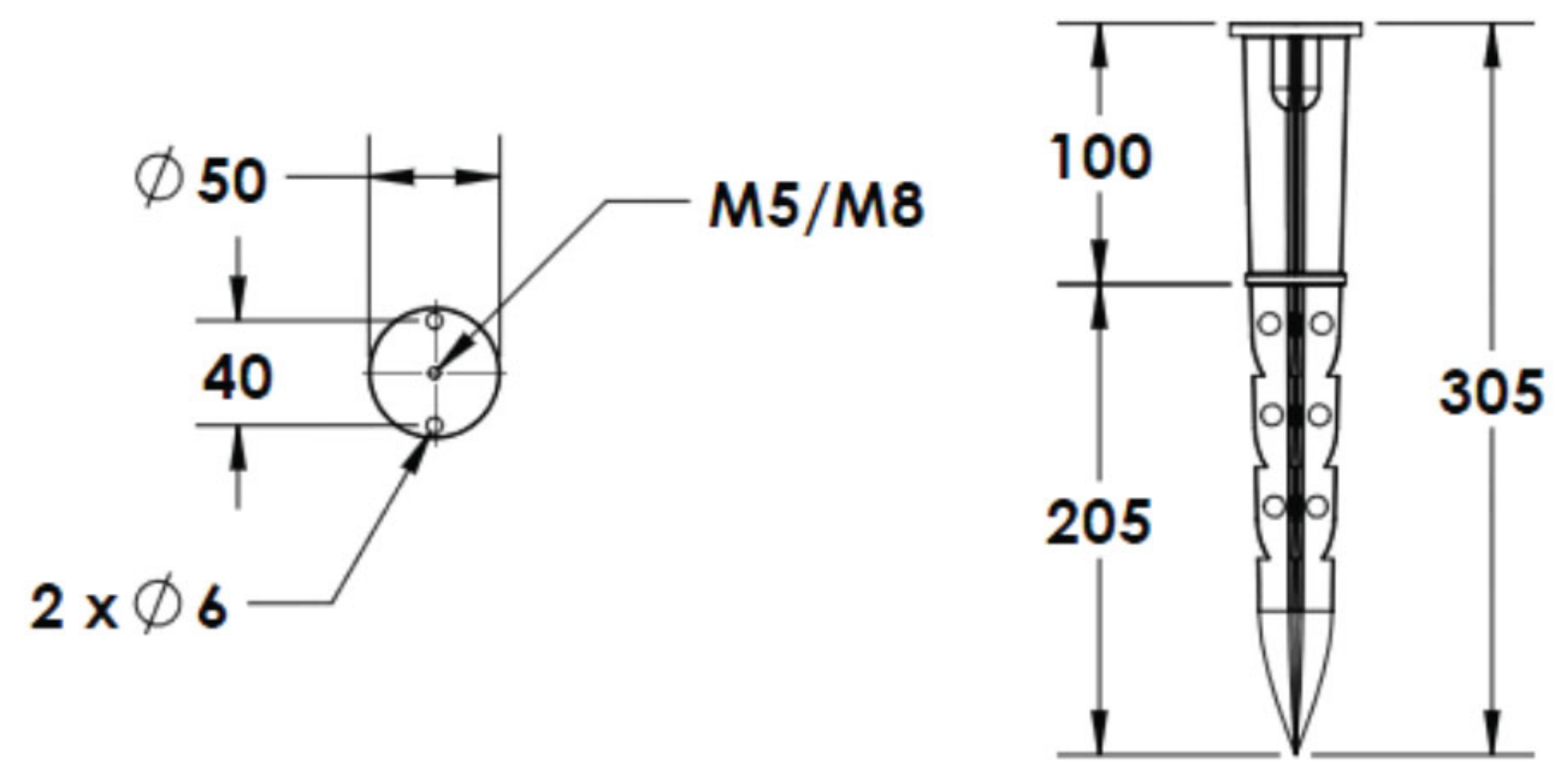
# PJL03.3004.15.x.xx



## Mounting Accessories

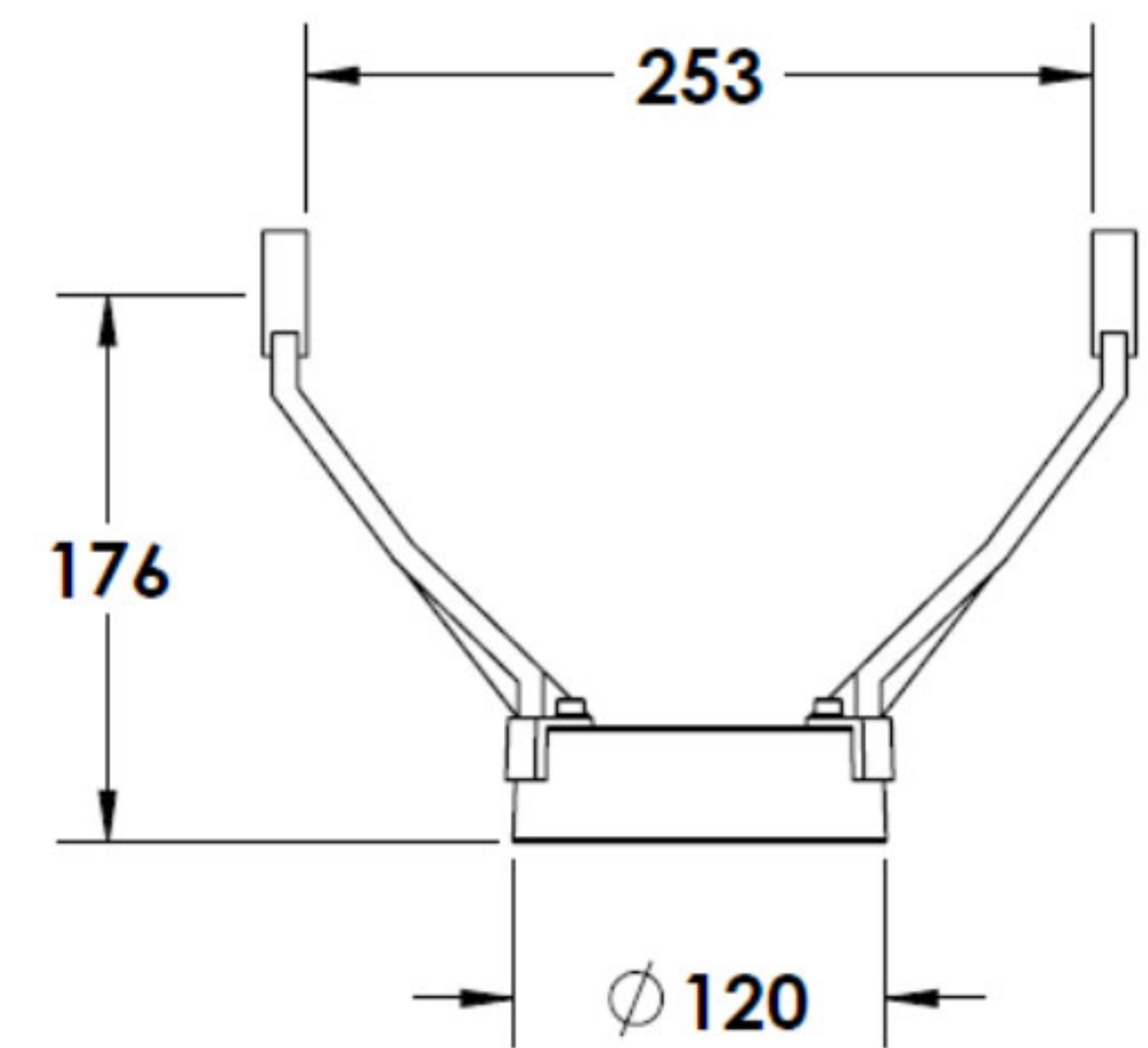
Ground Spike  
Powder coated die cast aluminium

7228.005.01.02



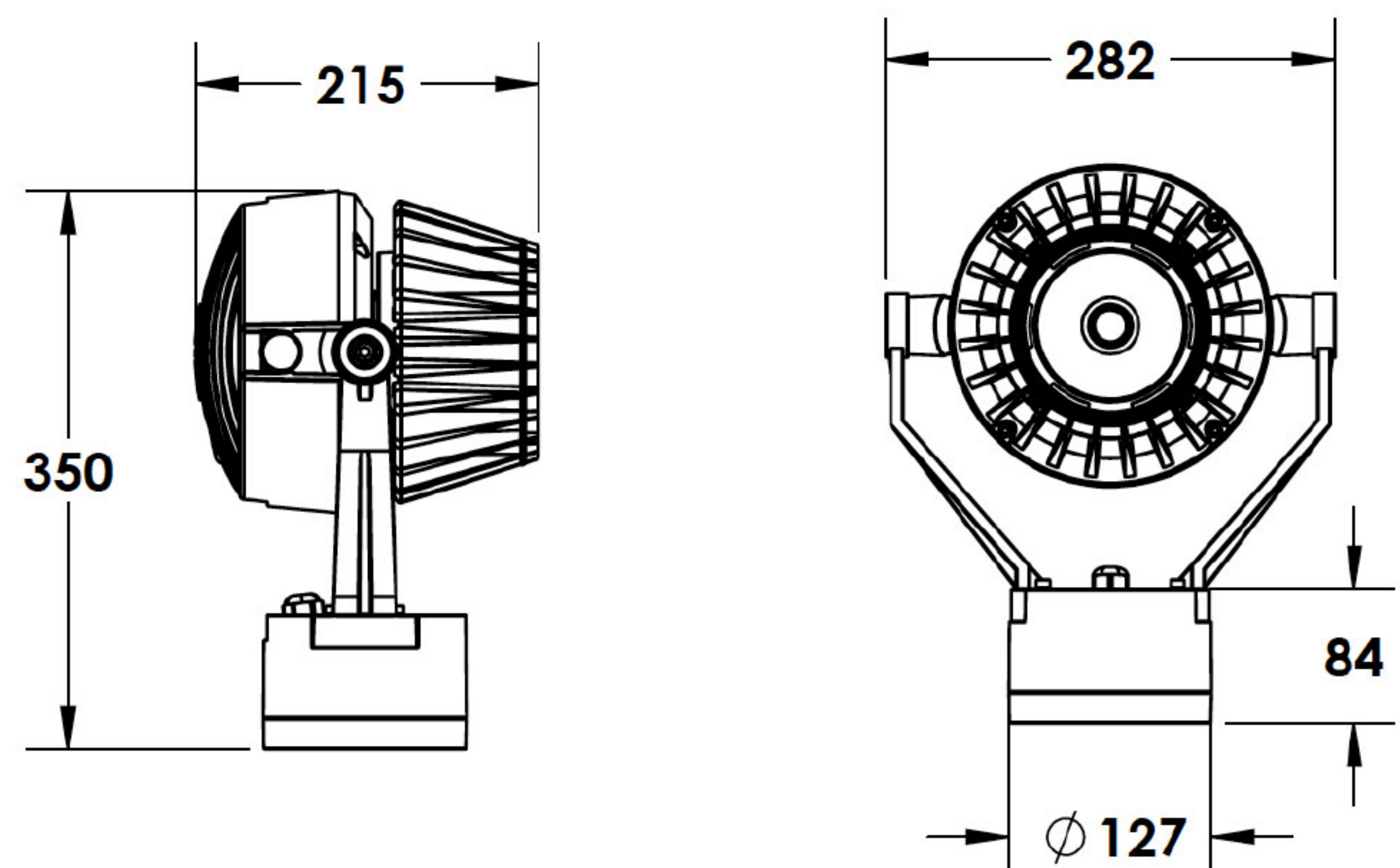
Cast Stirrup  
Powder coated die cast aluminium

7220.000.X2.xx



IP65 Gear Base  
Powder coated die cast aluminium

P-ACC.B228.GB



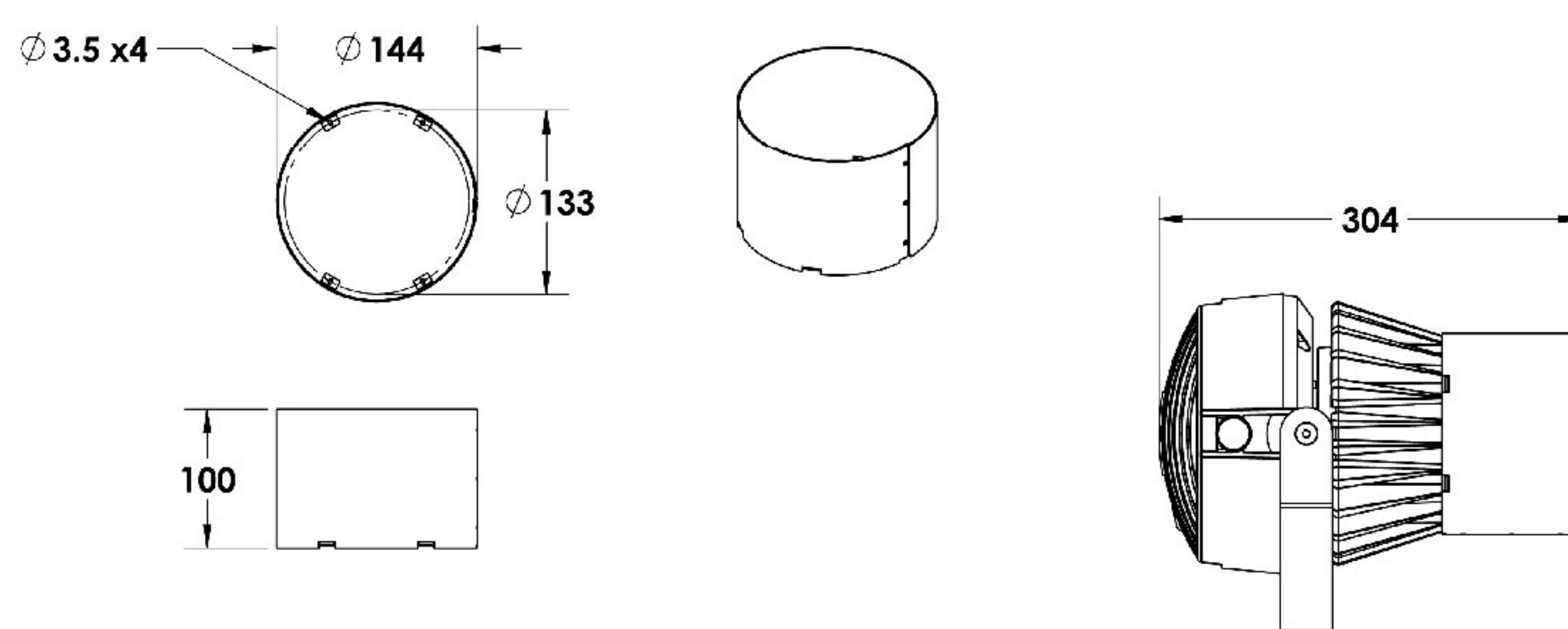
# PJL03.3004.15.x.xx



## Optical Accessories

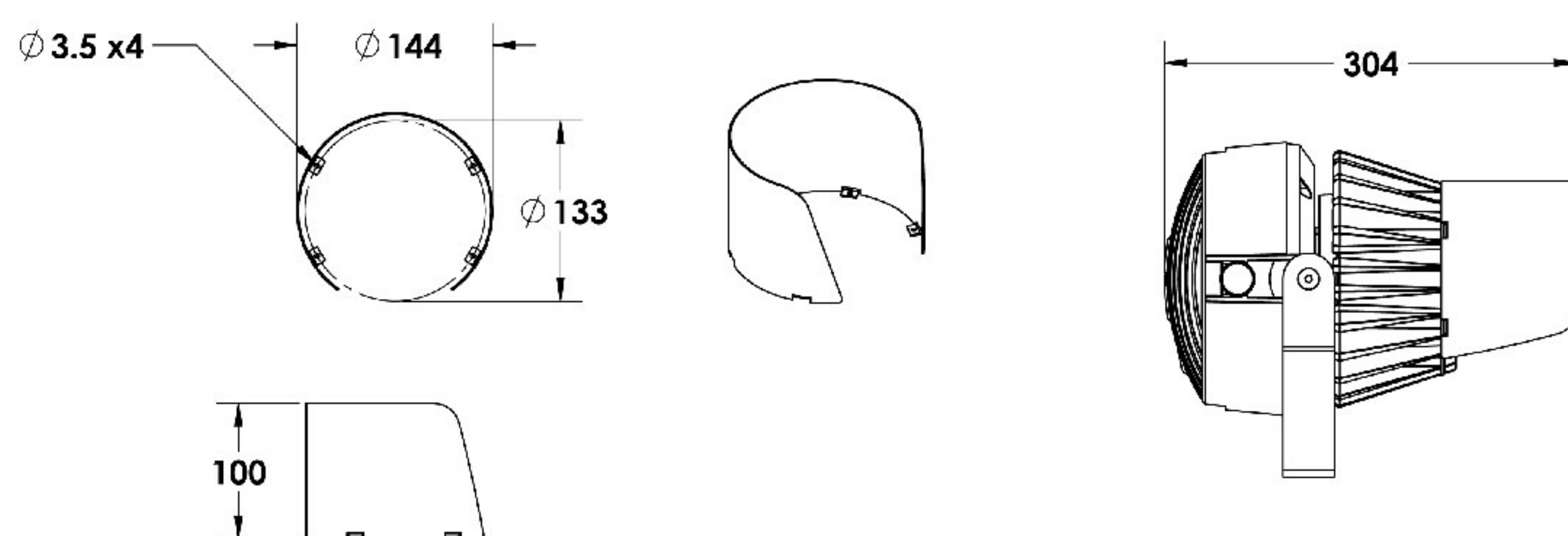
Snoot  
Powder coated die cast aluminium

P-ACC.B228.SS



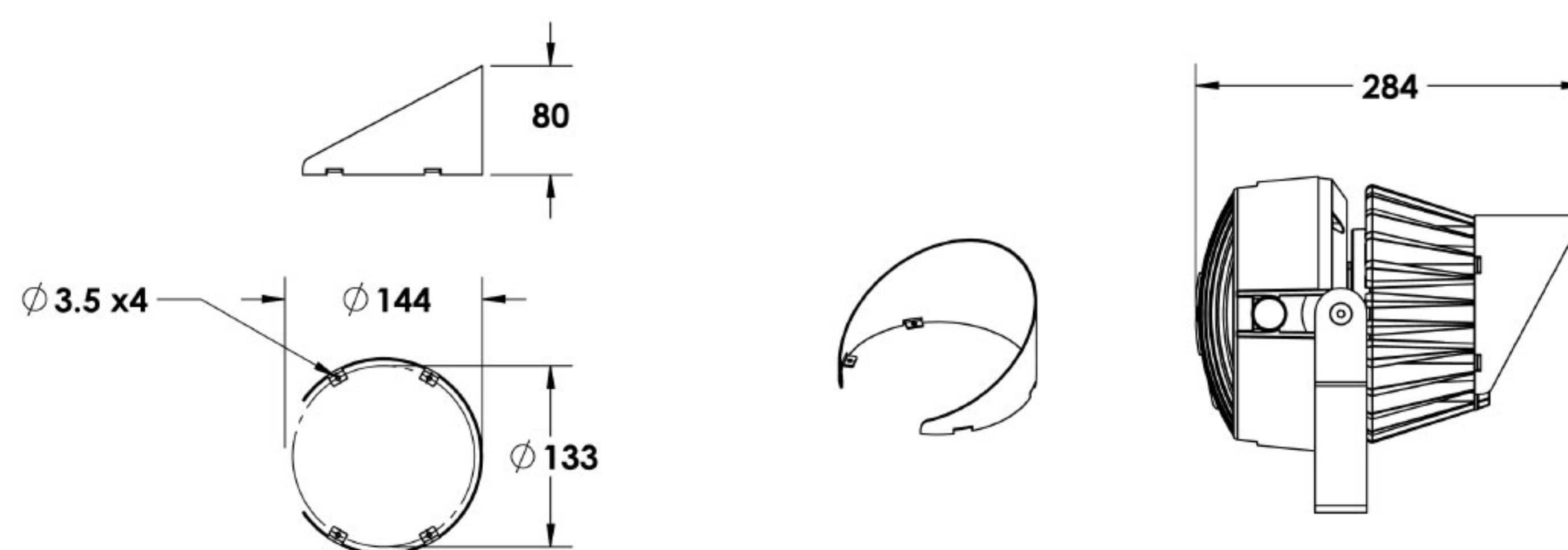
Glare Shield  
Powder coated die cast aluminium

P-ACC.B228.GS



Visor  
Powder coated die cast aluminium

P-ACC.B228.VS



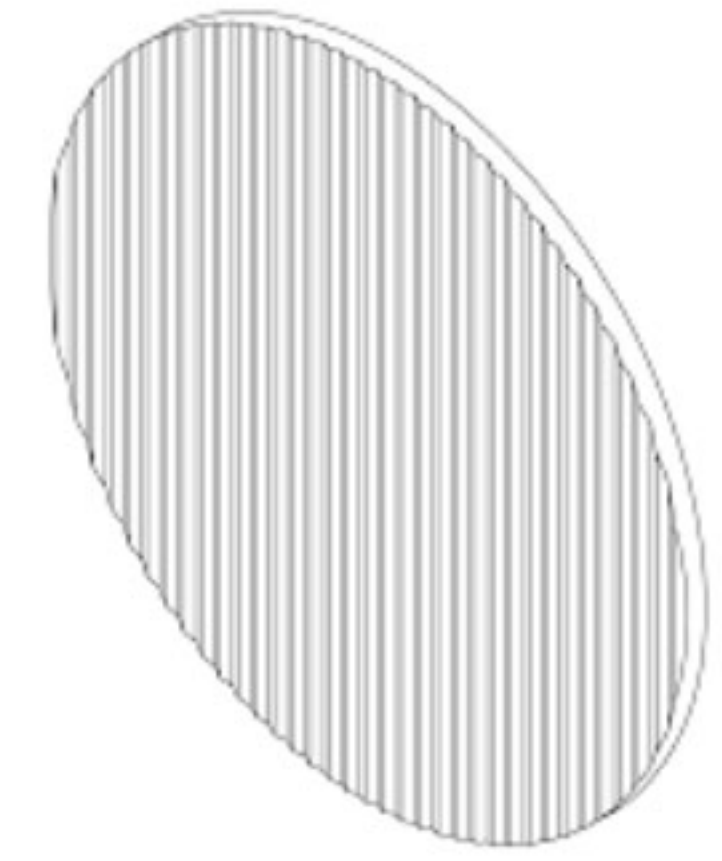
# PJL03.3004.15.x.xx



## Optical Accessories

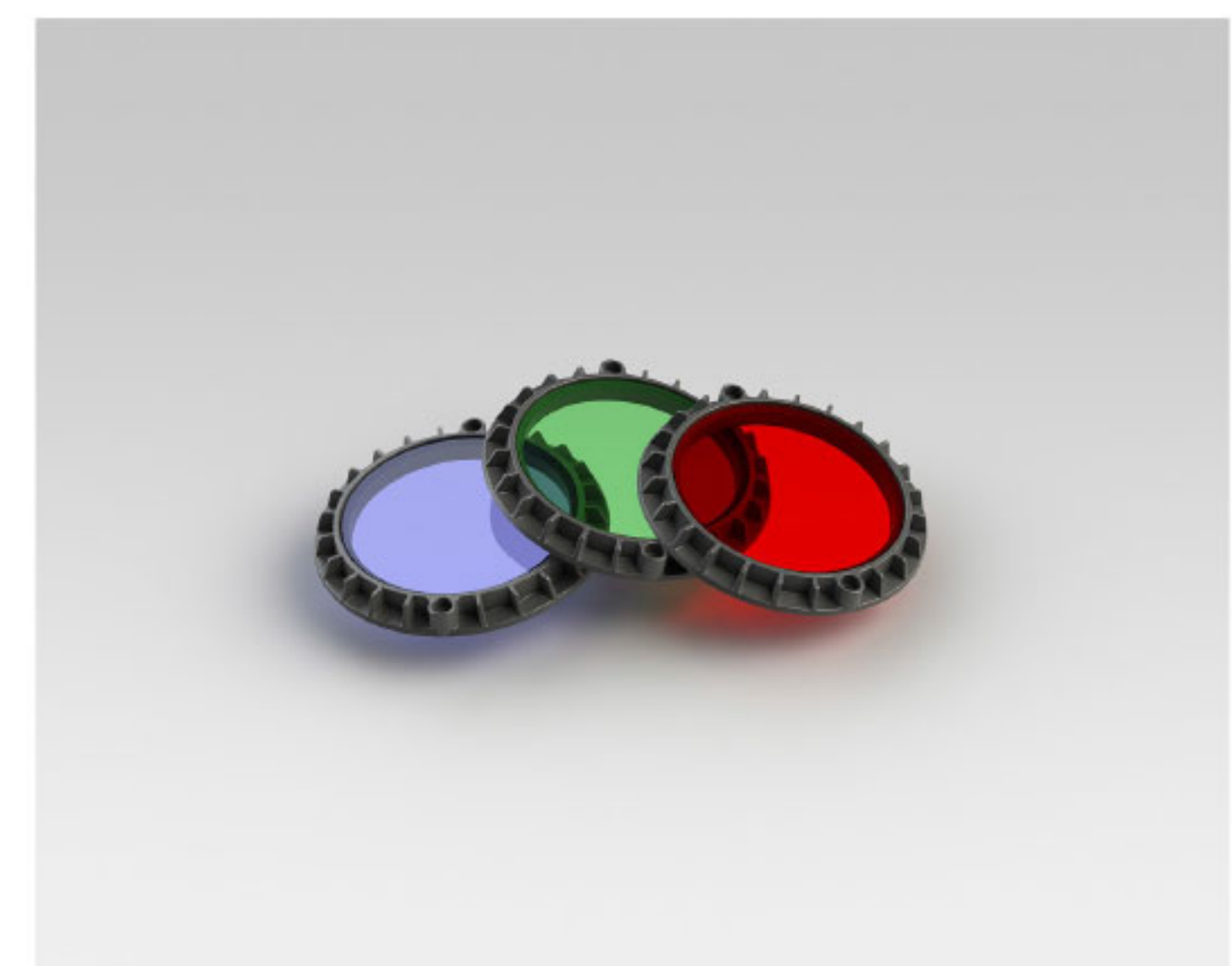
Linear Spreading Lens  
Tempered Borosilicate Glass

P-ACC.B228.SL



Glass Colour Filter (Red, Green or Blue)  
other colour on request

P-ACC.B228.GF



IP65 Driver Box (for remote driver operation)  
Powder coated aluminium

P-ACC.xxx.DB.xx

Options -:

- 1 input, 1 output channel
- 1 input, 2 output channel
- 1 input, 3 output channel

