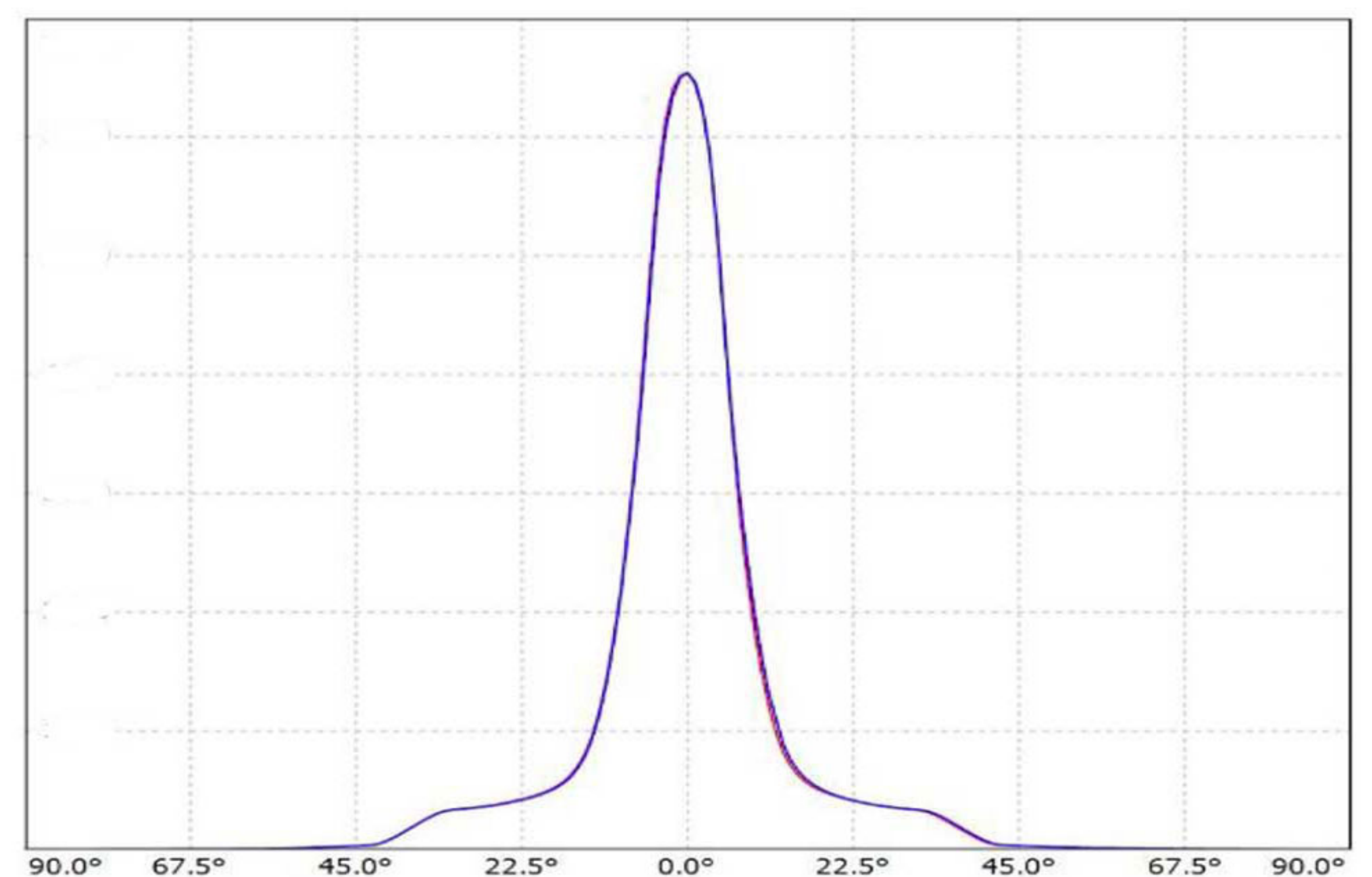
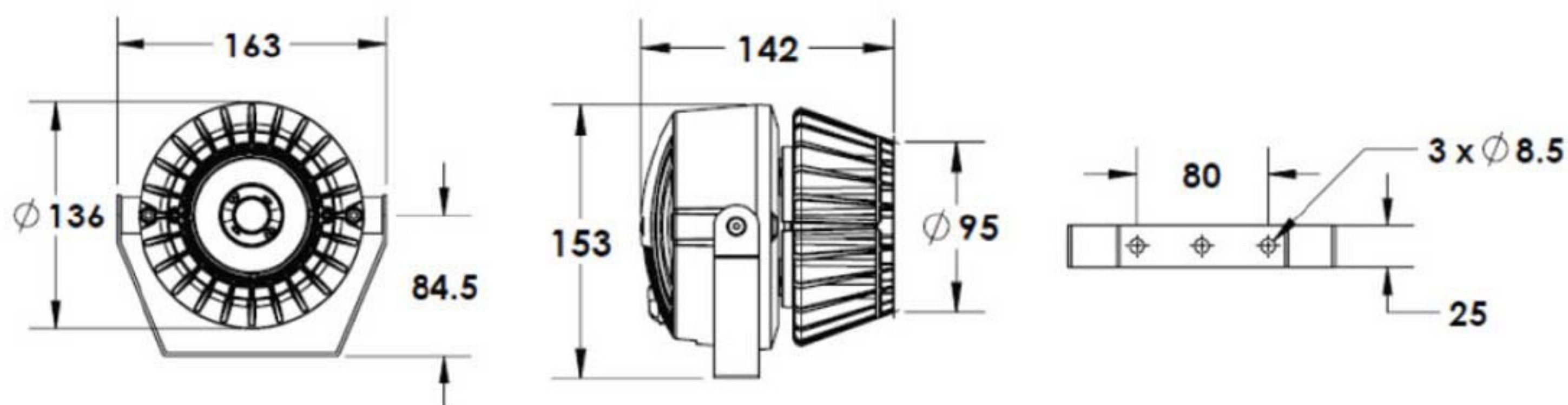
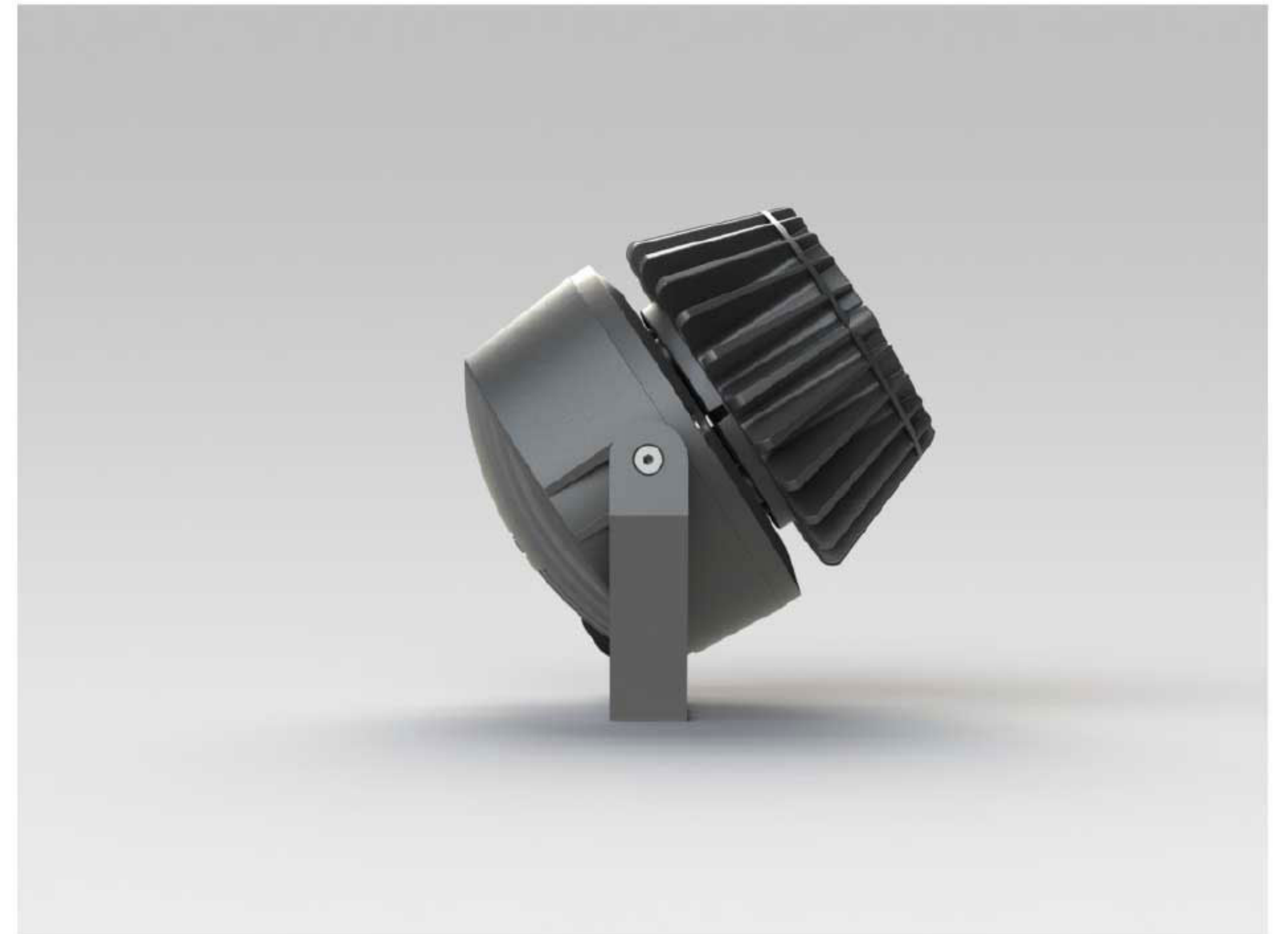


PJL02.5001.15.x.xx

Grünzell®

Description

IP65 Class I LED Projector with built in LED driver compartment thermally separated in a surface powder coated corrosion resistant die cast aluminium alloy housing. Featured GORE®Vent to protect the internal system from moisture. Silicon rubber gasket and stainless steel 316 screws. Highly specular reflector. Tempered glass cover. COB LED with socket.



| | |
|---------------------------|---------|
| LED Lamp | 1 |
| Luminous Flux | 1936 lm |
| Colour temperature | 5000 k |
| CRI | 80 |
| Nominal Power | 14W |
| Beam Angle | 15° |

| | |
|---------------------------|--|
| Ingress Protection | IP65 |
| Impact Protection | IK08 |
| Body | Die cast aluminium alloy |
| Weight | 1.5kg |
| Finish | Power coat finish in white RAL9016, grey RAL9006 or black 9005 |
| Line Voltage | 100 ~ 270V / 50-60Hz |
| Electrical Gear | IP67 LED Driver in a thermally separated compartment |

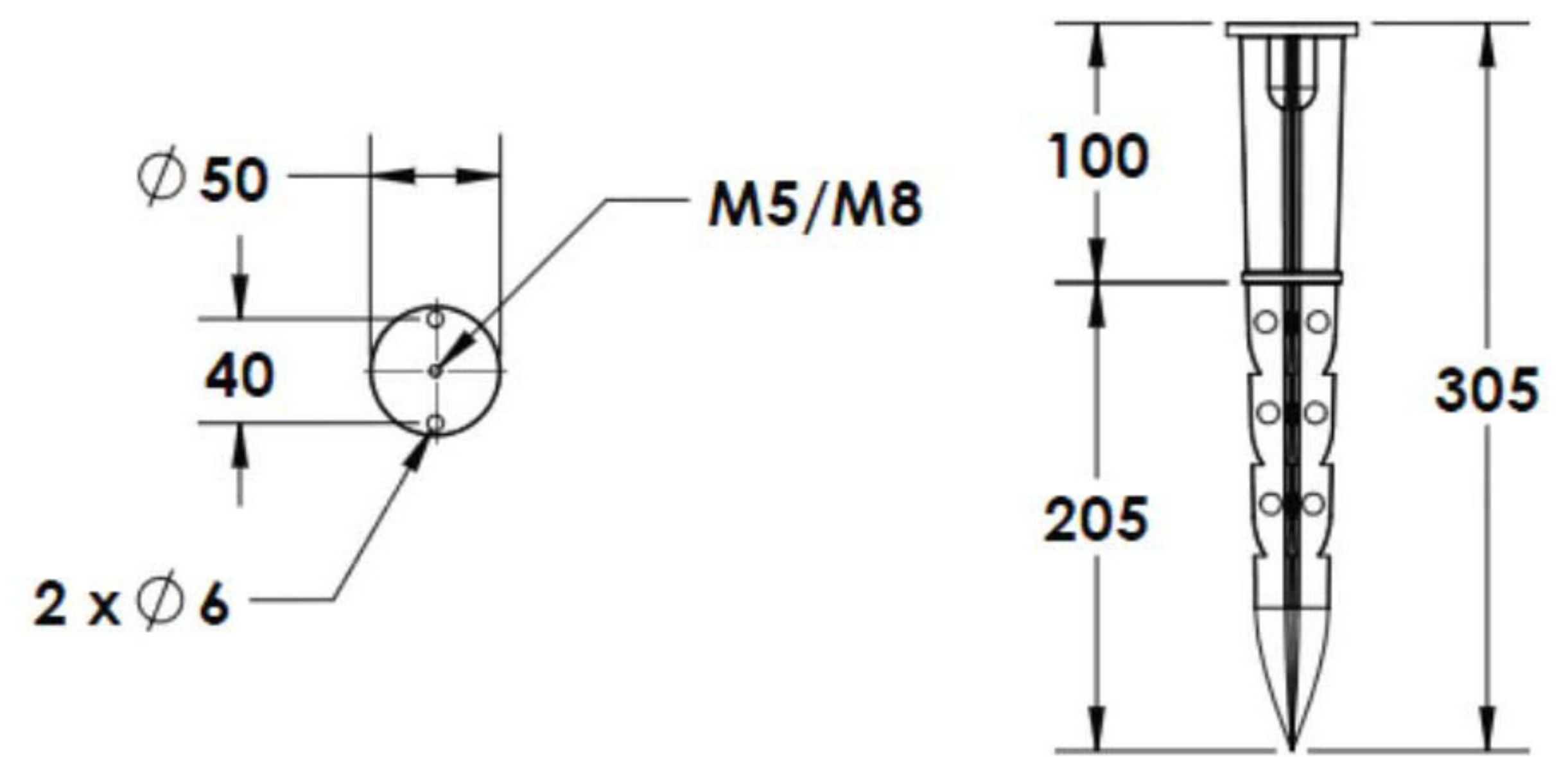
PJL02.5001.15.x.xx



Mounting Accessories

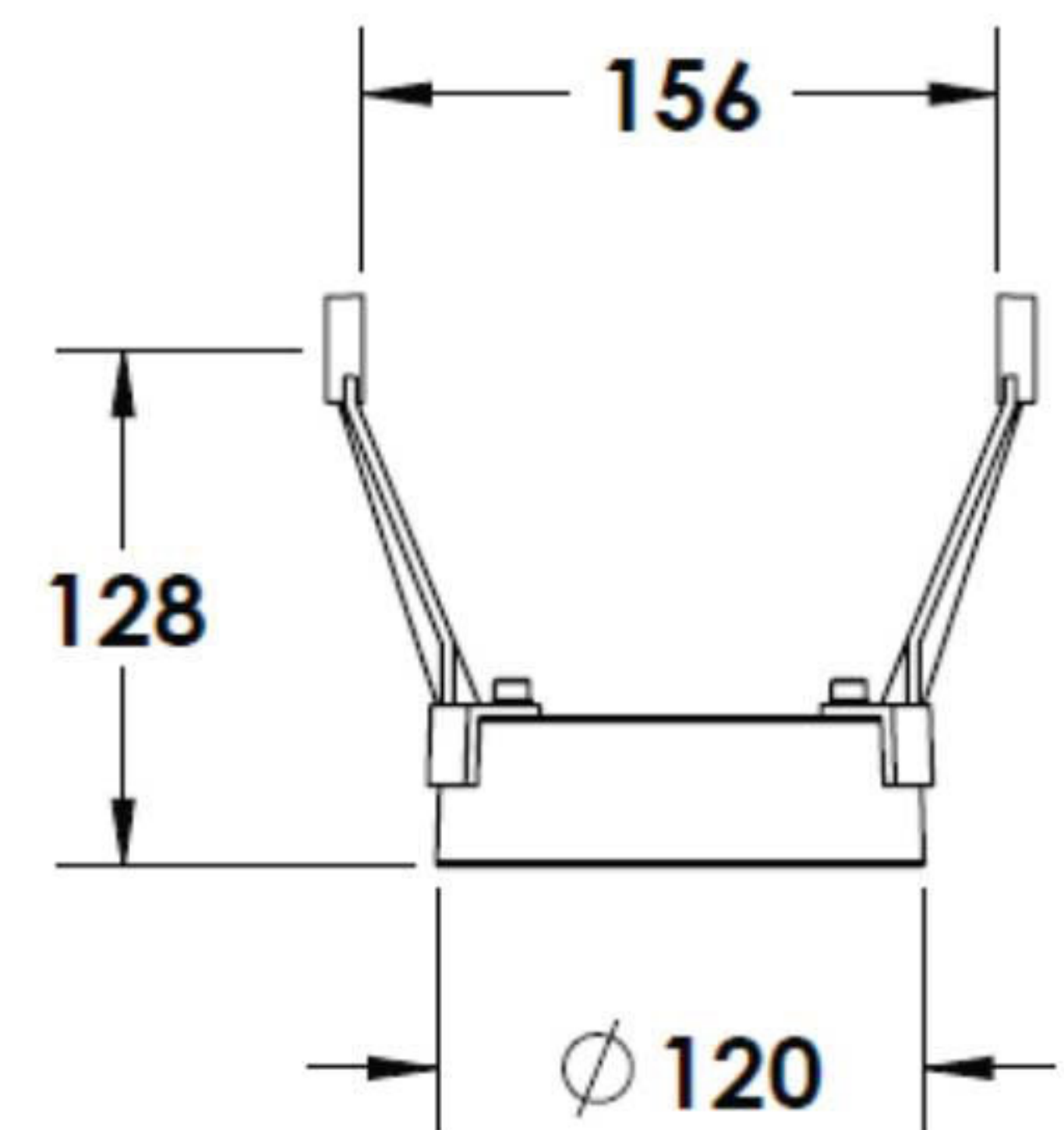
Ground Spike
Powder coated die cast aluminium

7218.005.01.02



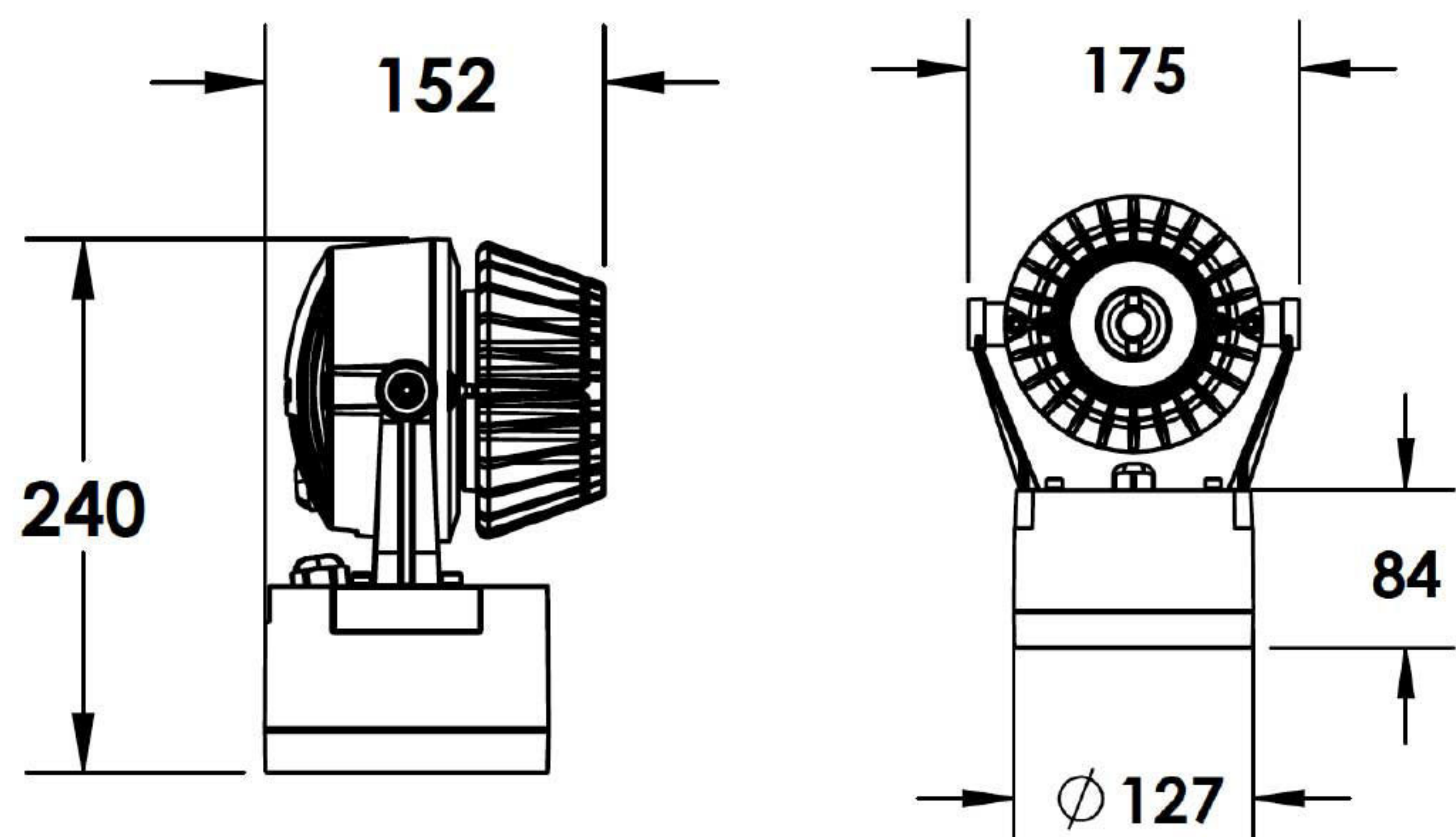
Cast Stirrup
Powder coated die cast aluminium

7210.000.X2.xx



IP65 Gear Base
Powder coated die cast aluminium

P-ACC.B218.GB



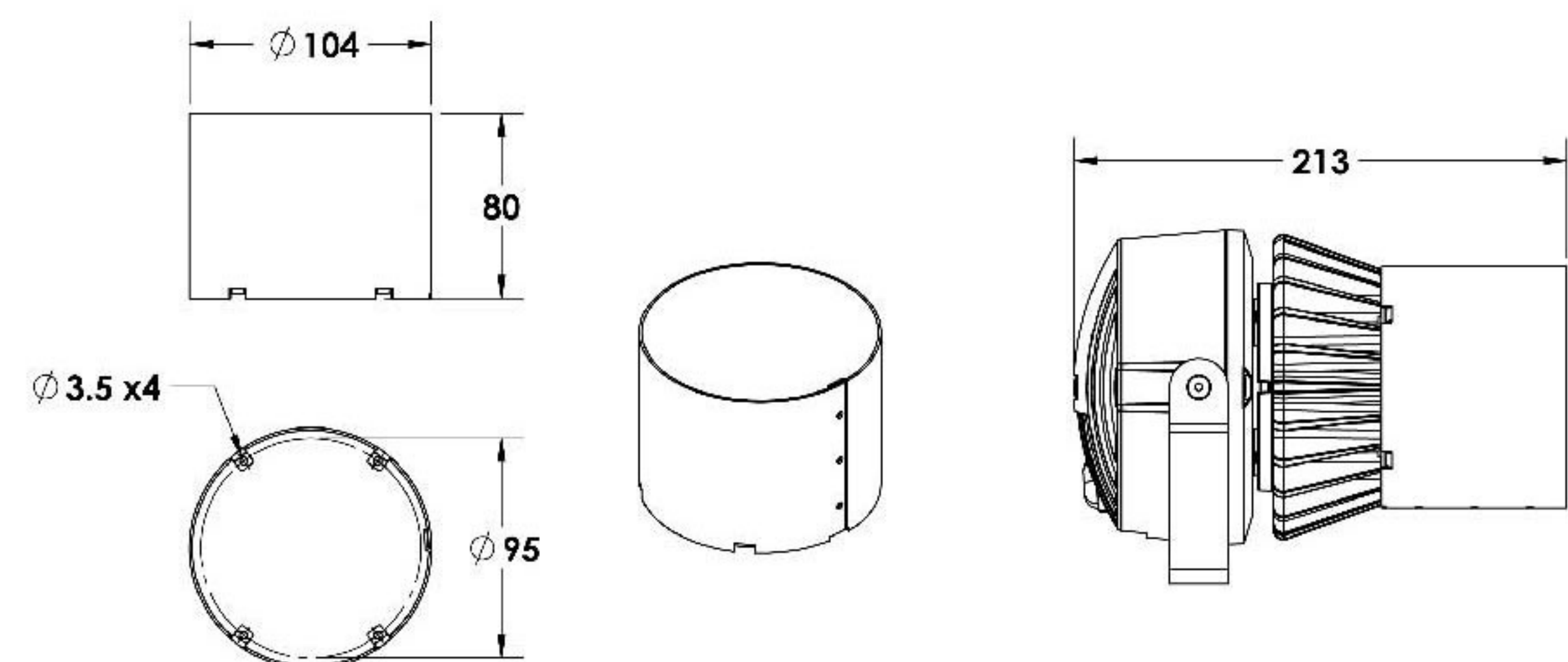
PJL02.5001.15.x.xx



Optical Accessories

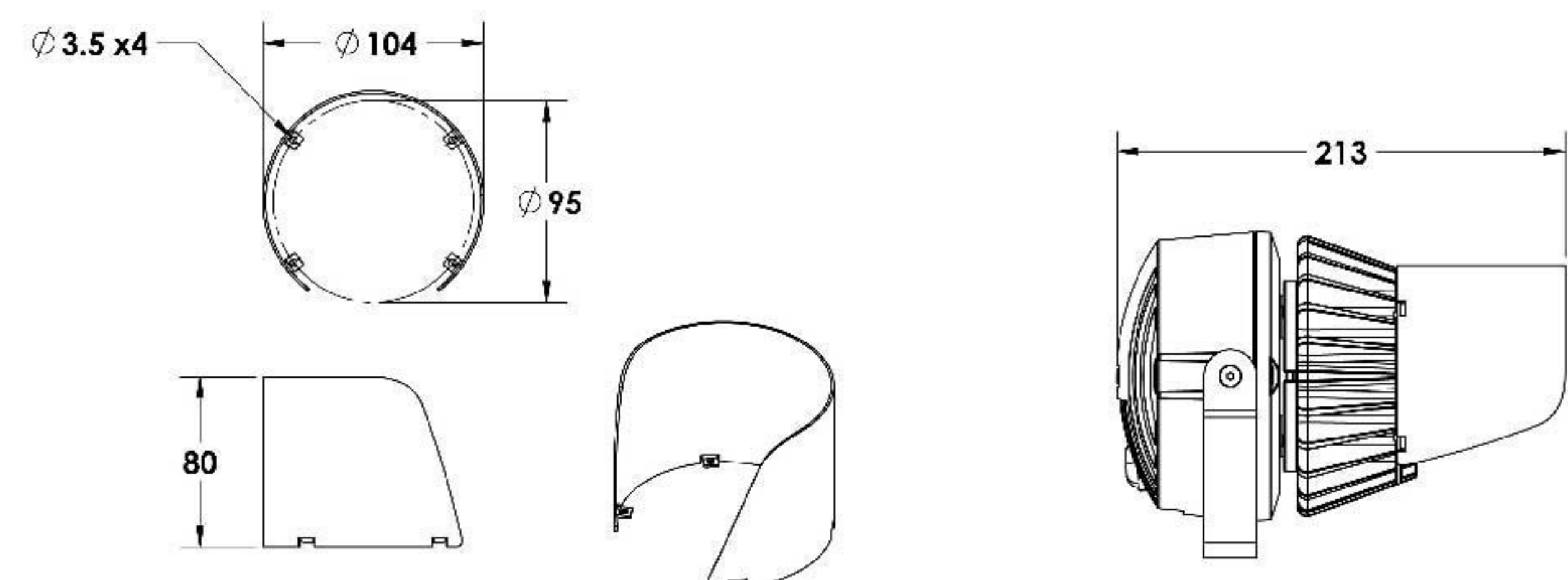
Snoot
Powder coated die cast aluminium

P-ACC.B218.SS



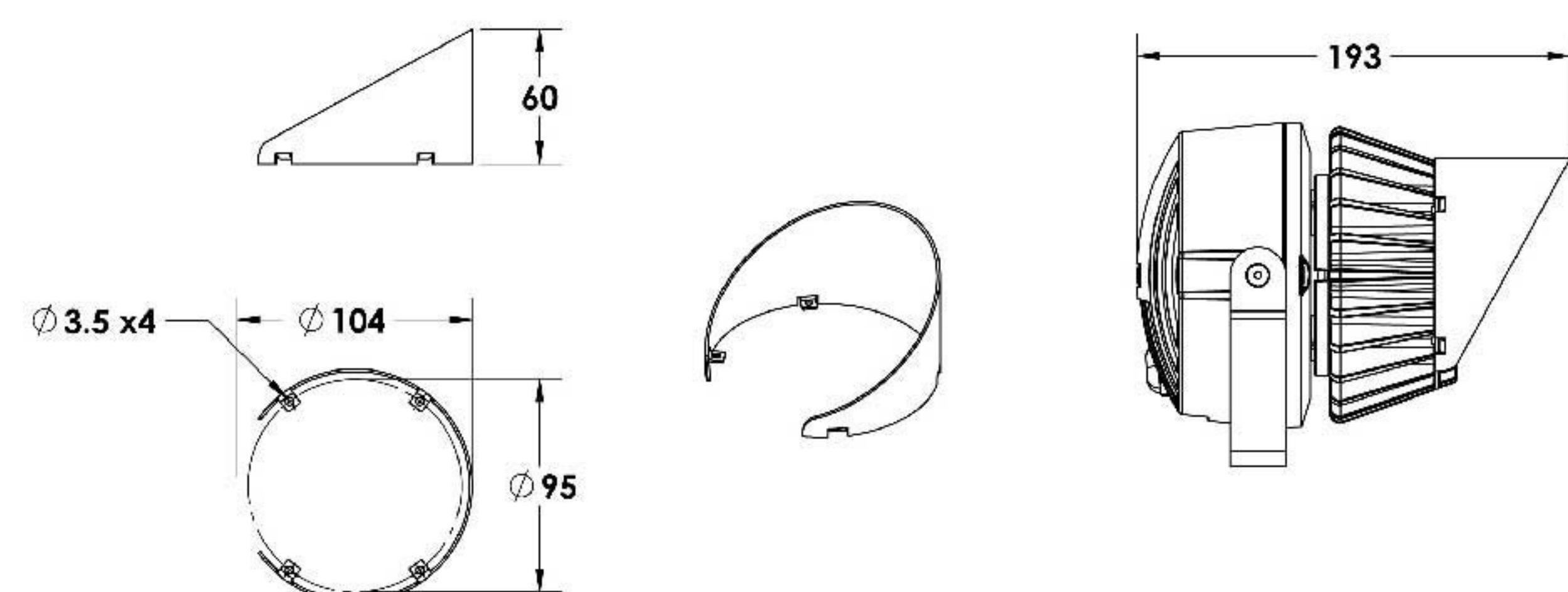
Glare Shield
Powder coated die cast aluminium

P-ACC.B218.GS



Visor
Powder coated die cast aluminium

P-ACC.B218.VS



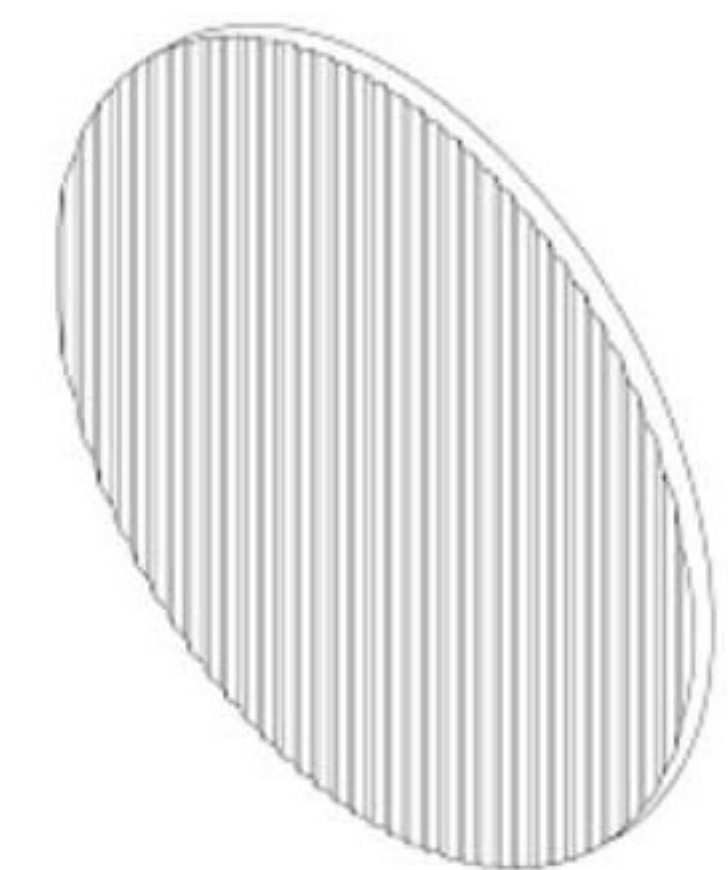
PJL02.5001.15.x.xx



Optical Accessories

Linear Spreading Lens
Tempered Borosilicate Glass

P-ACC.B218.SL



Glass Colour Filter (Red, Green or Blue)
other colour on request

P-ACC.B218.GF



IP65 Driver Box (for remote driver operation)
Powder coated aluminium

P-ACC.xxx.DB.xx

Options -:

- 1 input, 1 output channel
- 1 input, 2 output channel
- 1 input, 3 output channel

