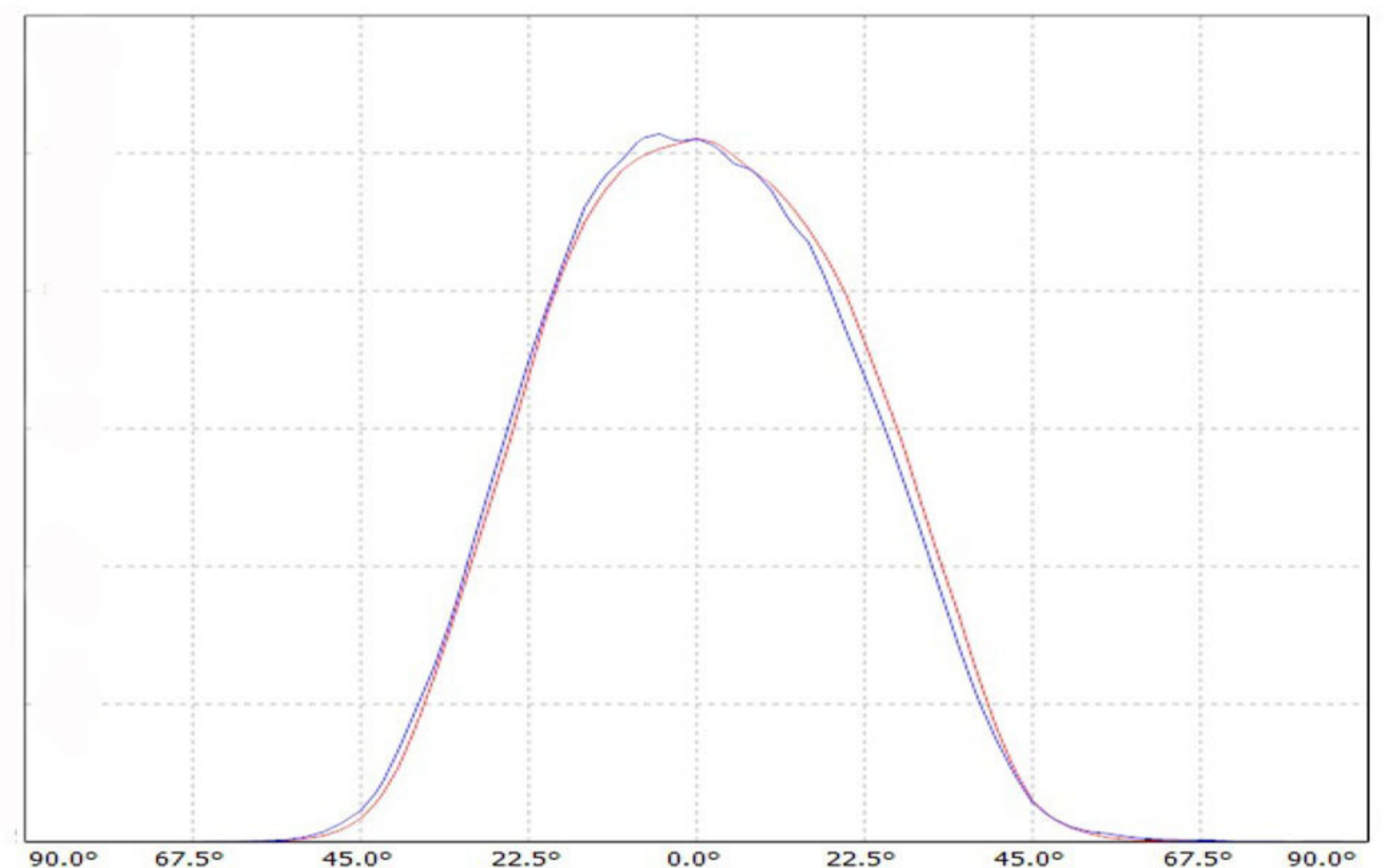
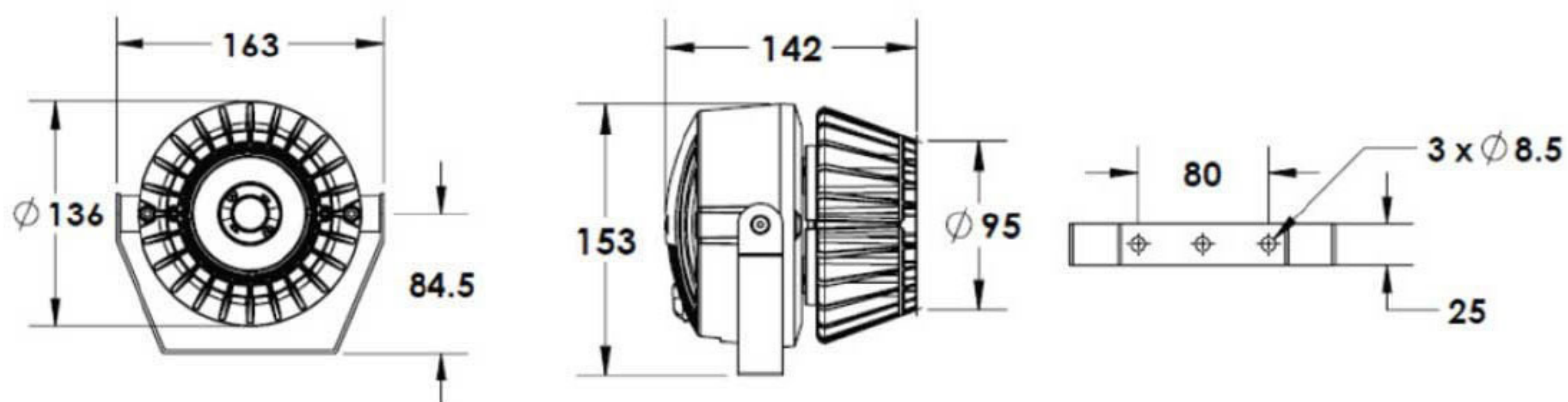


# PJL02.3002.56.x.xx

Grünzell®

## Description

IP65 Class I LED Projector with built in LED driver compartment thermally separated in a surface powder coated corrosion resistant die cast aluminium alloy housing. Featured GORE®Vent to protect the internal system from moisture. Silicon rubber gasket and stainless steel 316 screws. Highly specular reflector. Tempered glass cover. COB LED with socket.



|                           |         |
|---------------------------|---------|
| <b>LED Lamp</b>           | 1       |
| <b>Luminous Flux</b>      | 3138 lm |
| <b>Colour temperature</b> | 3000K   |
| <b>CRI</b>                | 80      |
| <b>Nominal Power</b>      | 25W     |
| <b>Beam Angle</b>         | 56°     |

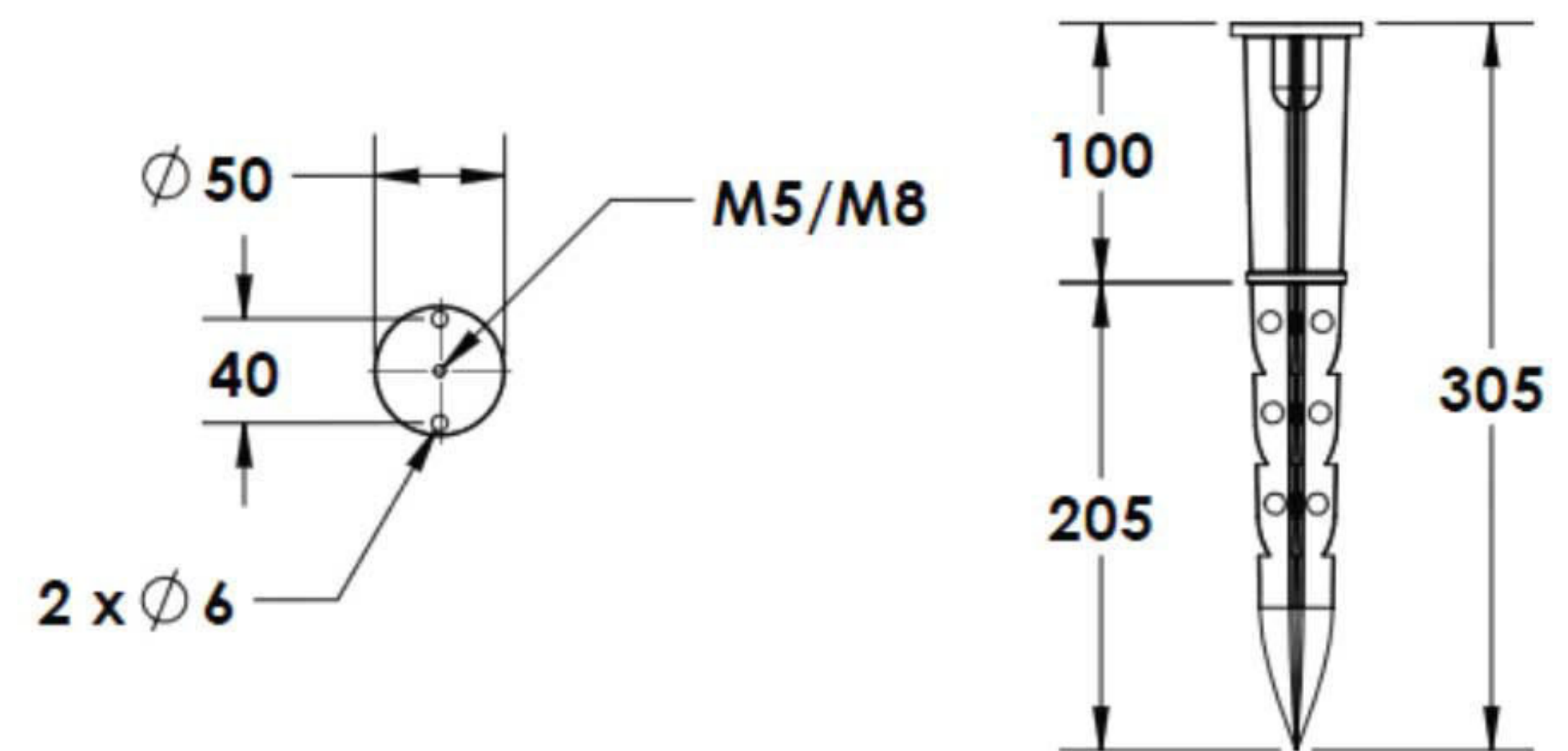
|                           |  |
|---------------------------|--|
| <b>Ingress Protection</b> | IP65   |
| <b>Impact Protection</b>  | IK08   |
| <b>Body</b>               | Die cast aluminium alloy                                       |
| <b>Weight</b>             | 1.5kg  |
| <b>Finish</b>             | Power coat finish in white RAL9016, grey RAL9006 or black 9005 |
| <b>Line Voltage</b>       | 100 ~ 270V / 50-60Hz   |
| <b>Electrical Gear</b>    | IP67 LED Driver in a thermally separated compartment           |



## Mounting Accessories

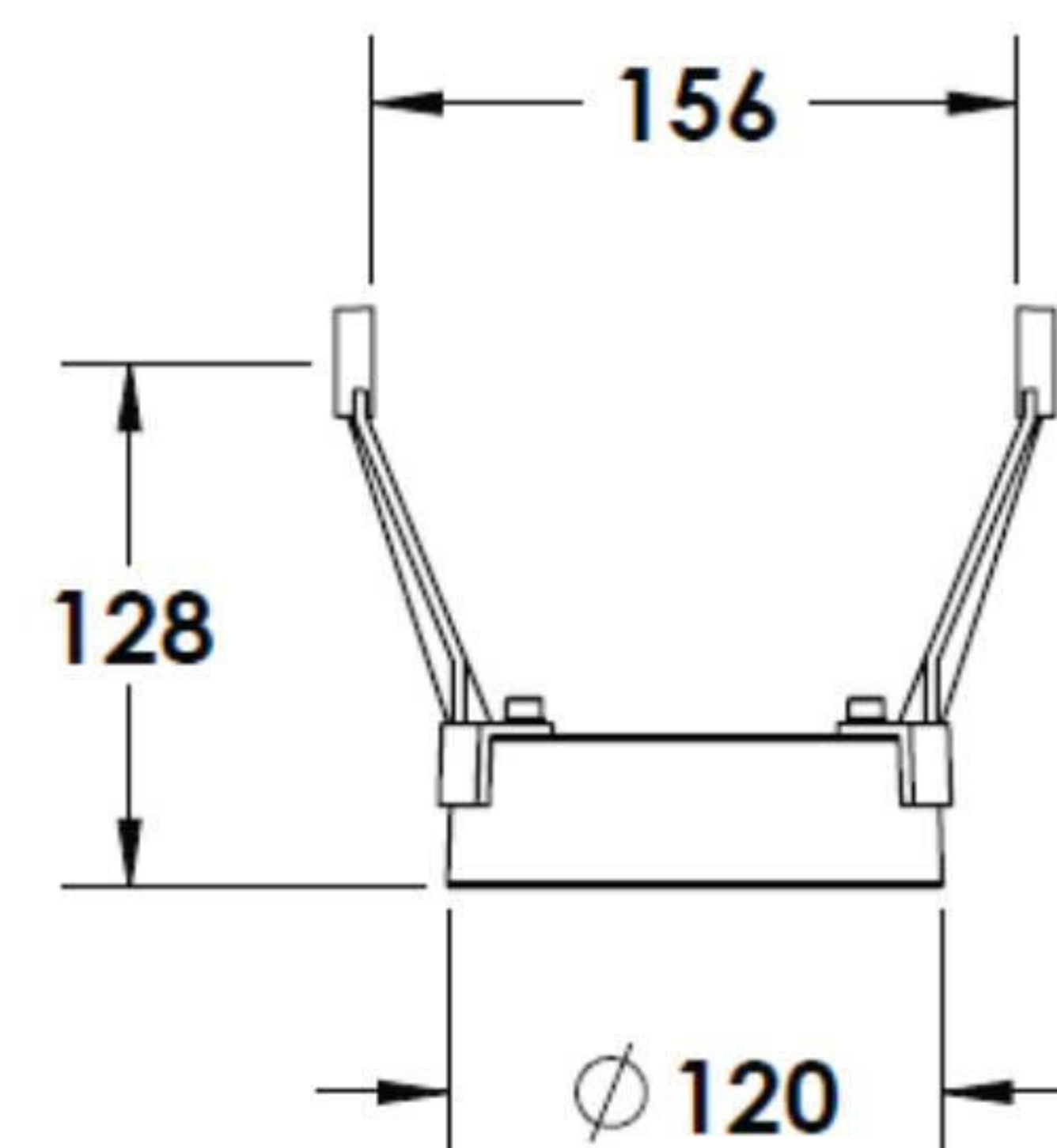
Ground Spike  
Powder coated die cast aluminium

7218.005.01.02



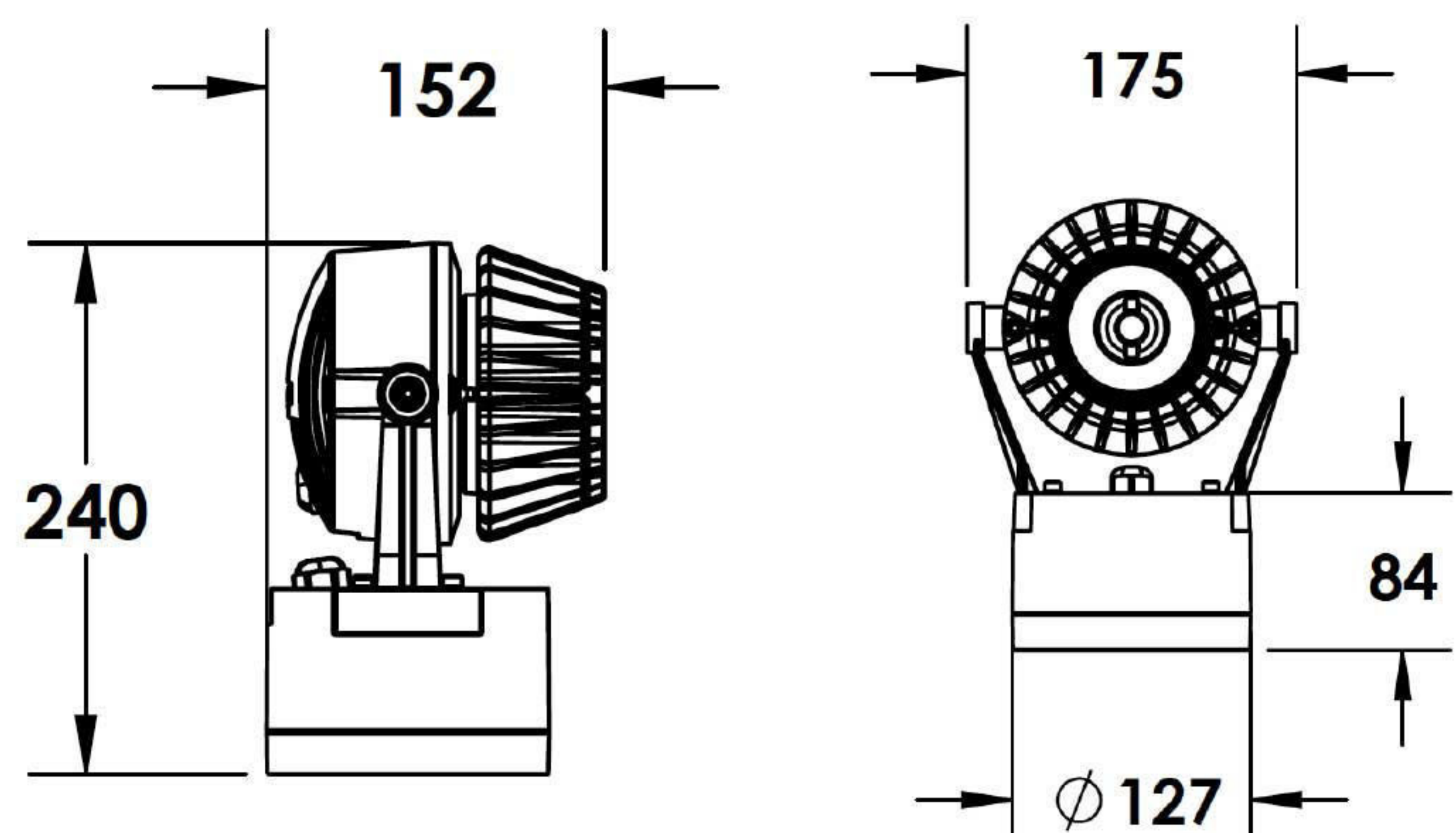
Cast Stirrup  
Powder coated die cast aluminium

7210.000.X2.xx



IP65 Gear Base  
Powder coated die cast aluminium

P-ACC.B218.GB

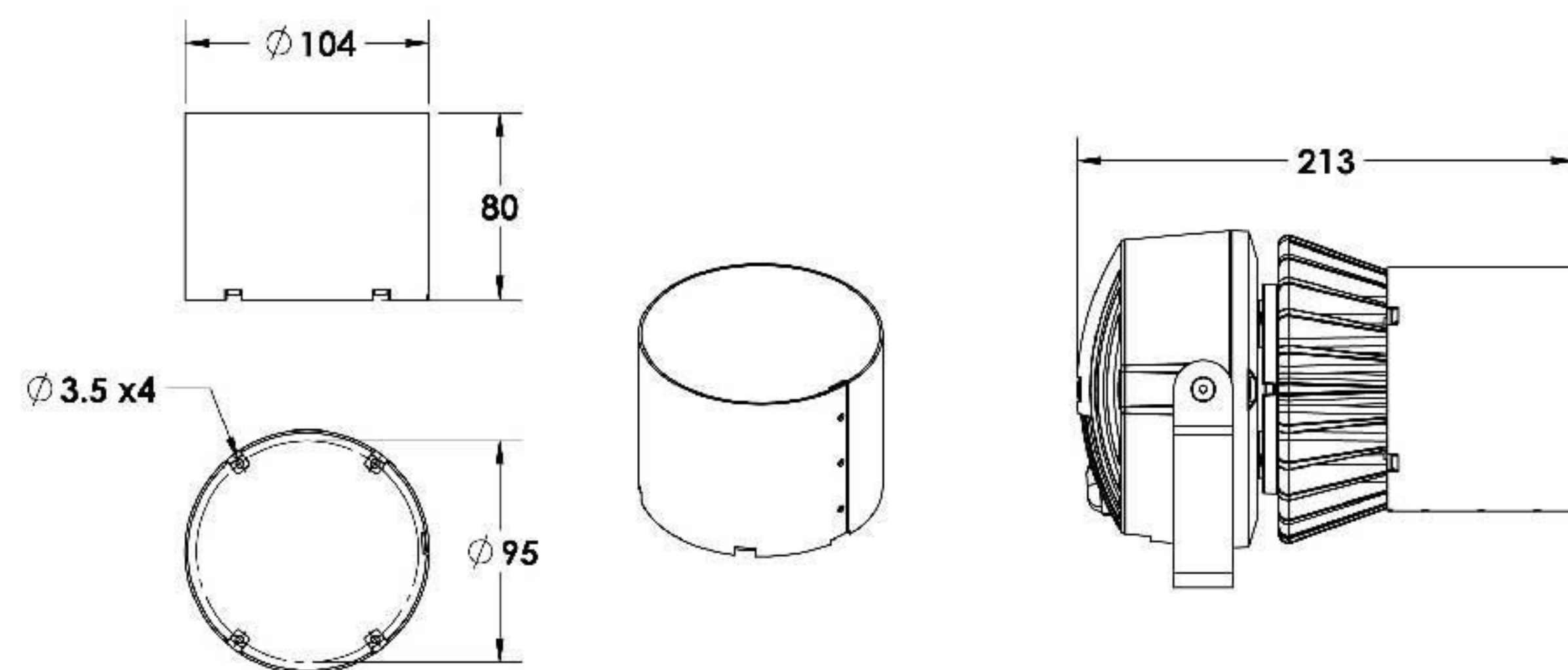




## Optical Accessories

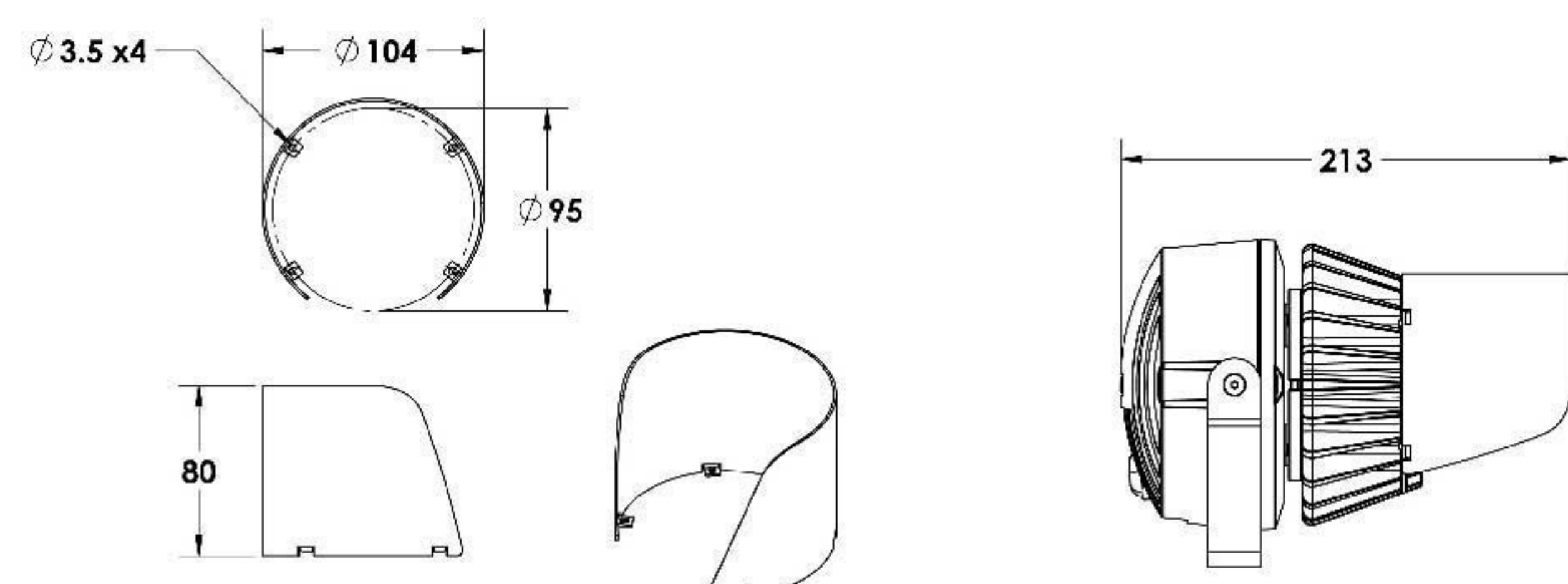
Snoot  
Powder coated die cast aluminium

P-ACC.B218.SS



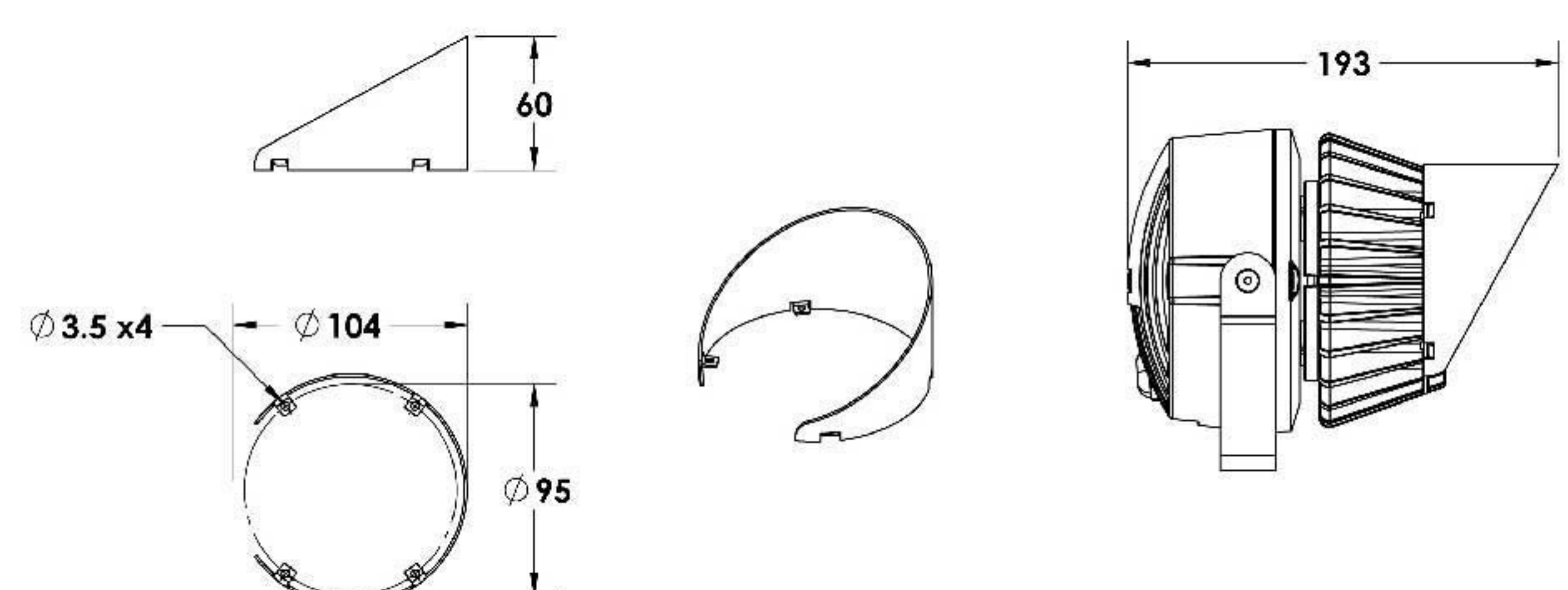
Glare Shield  
Powder coated die cast aluminium

P-ACC.B218.GS



Visor  
Powder coated die cast aluminium

P-ACC.B218.VS





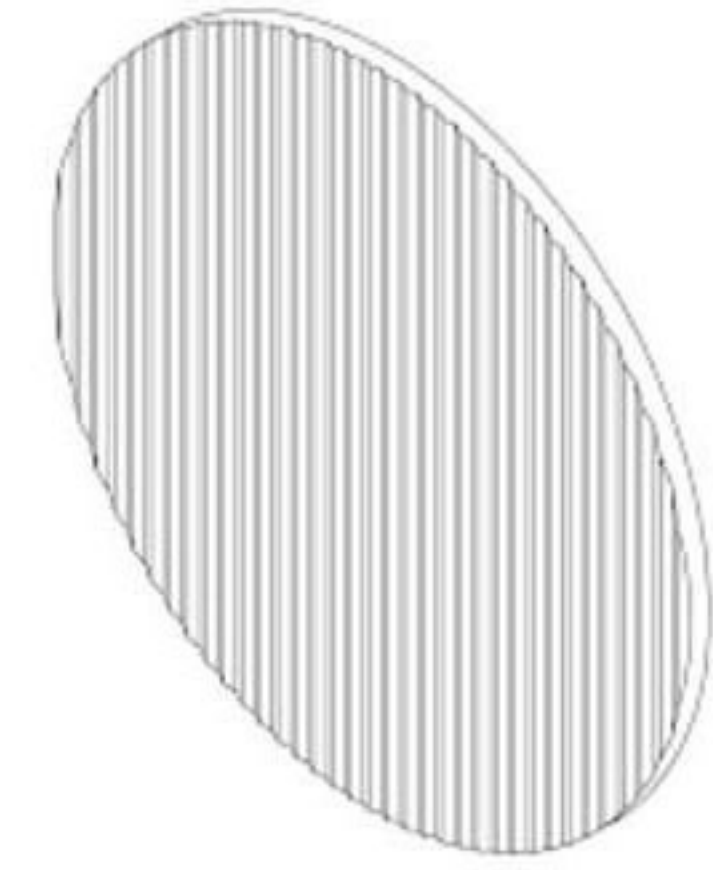
# PJL02.3002.56.x.xx

Grünzell®

## Optical Accessories

Linear Spreading Lens  
Tempered Borosilicate Glass

P-ACC.B218.SL



Glass Colour Filter (Red, Green or Blue)  
other colour on request

P-ACC.B218.GF



IP65 Driver Box (for remote driver operation)  
Powder coated aluminium

P-ACC.xxx.DB.xx

Options -:

- 1 input, 1 output channel
- 1 input, 2 output channel
- 1 input, 3 output channel

